

5MP IR Fisheye Network Camera

MODEL: InSight S655I



**360°
Monitoring**

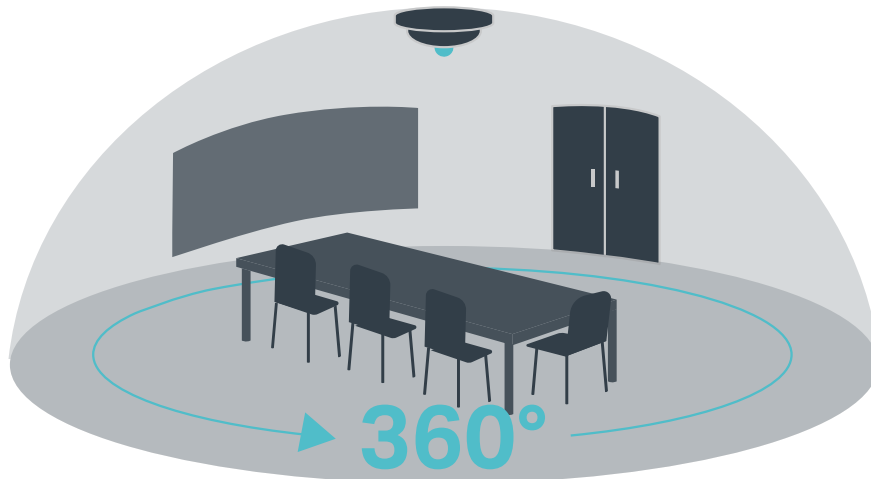
**Multiple Display
Modes**

**Smart
Detection**

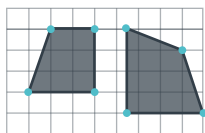
**Two Way
Audio**

// 360° Panoramic View

Covers all four corners with a single 360° panoramic view. Perfect for stores, offices, warehouses, and more.



// Smart Detection



Intrusion Detection



Line-Crossing Detection



Abnormal Sound Detection



Region Entering Detection

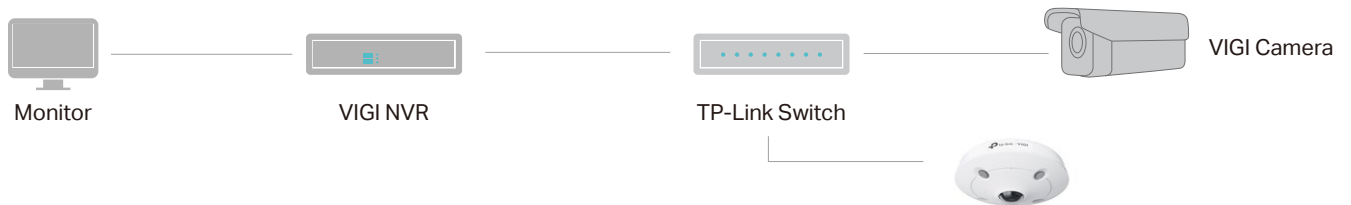


Region Exiting Detection

// VIGI Surveillance Solution

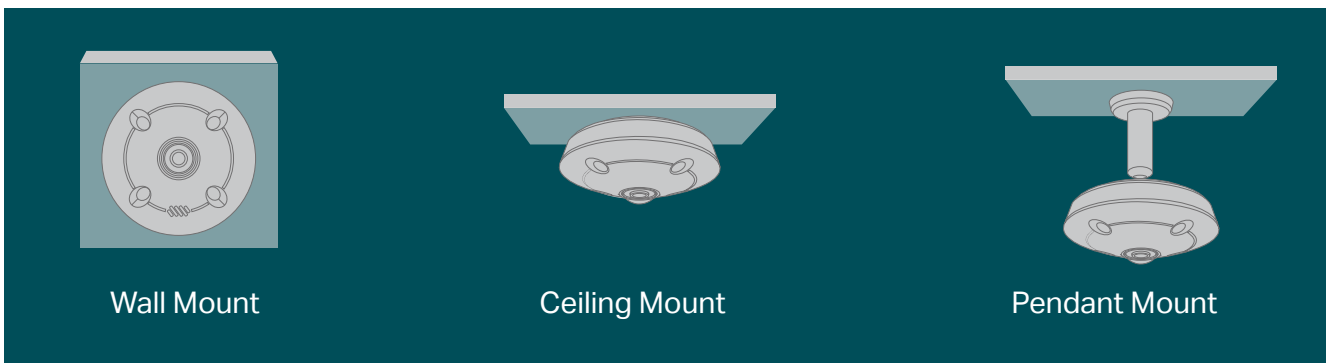
The VIGI professional surveillance system by TP-Link is dedicated to protecting the business that you've worked hard to build—whenever, wherever.

Outstanding functions, reliable quality guarantees, and simplified installation work together to ensure your business stays safe and sound.

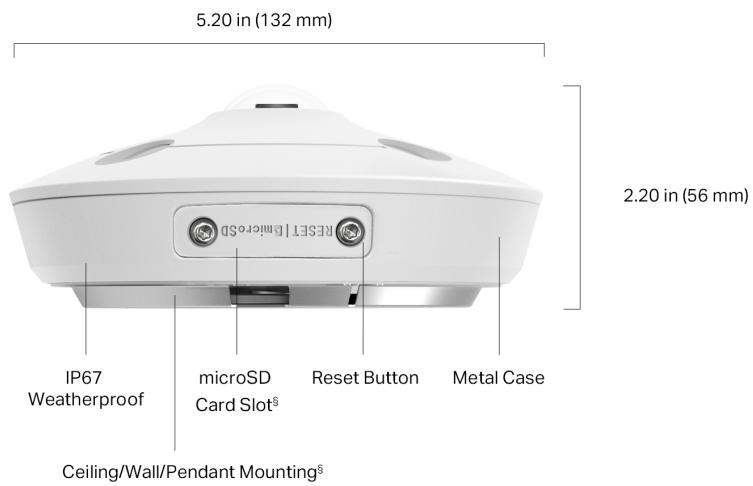


// Flexible Installation

Find the perfect vantage point by simply securing your camera to the ceiling, wall, or pendant.*



// Build Features



[§]The microSD card and pendant mounting kits are not included in the package.

// Specifications

Camera	
Product Model	InSight S655I
Image Sensor	1/2.7" Progressive Scan CMOS
Shutter Speed	1/3 to 1/10000 s
Slow Shutter	Yes
Min. Illumination	Color: 0.01 Lux; 0 Lux with IR
Day/Night Mechanism	IR Cut Filter
Day/Night Switch	Unified/ Scheduled/ Auto
Lens	
Focal Length	Fixed Focal Lens
Focal Length	1.44 mm
Aperture	F2.0
FOV	Horizontal FOV: 180°, Vertical FOV: 180°, Diagonal FOV: 180°
Lens Mount	M12*P0.5
DORI Distance	Detect: 28.8 m (94 ft) Observe: 12 m (39 ft) Recognize: 5.7 m (19 ft) Identify: 2.8 m (9 ft)

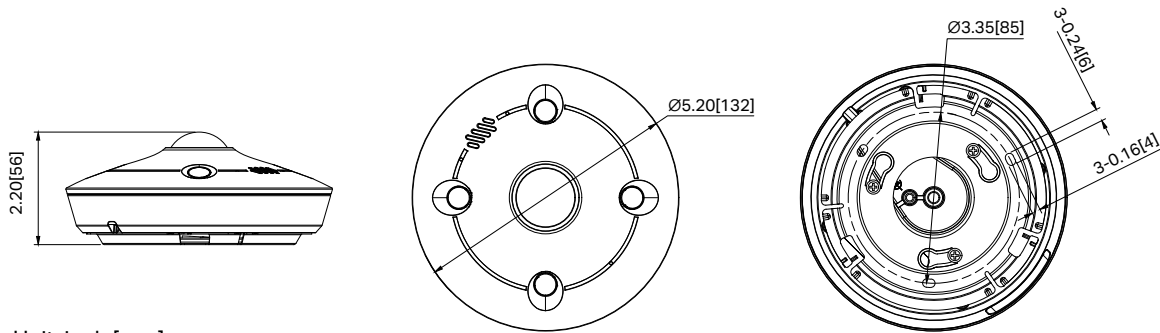
Fisheye Display	
Installation	Ceiling Mount; Wall Mount; Pendant Mount ^s
Display Mode	<p>On VIGI VMS:</p> <ul style="list-style-type: none"> • Ceiling Mount: Fisheye, AR Dewarp, 180 Panorama, 360 Panorama, Cylinder, 2PTZ, 4PTZ, Fisheye + 8PTZ, Fisheye + 3PTZ, 360 Panorama + 8PTZ, 360 Panorama + 6PTZ, 360 Panorama + PTZ • Wall Mount: Fisheye, 360 Panoramic Unwrap, 360 Panoramic Unwrap+3PTZ, 360 Panoramic Unwrap+8PTZ, 4PTZ, Fisheye + 3PTZ, Fisheye + 8PTZ <p>On VIGI App:</p> <ul style="list-style-type: none"> • Ceiling Mount: Fisheye, 180 Panorama, 360 Panorama, Fisheye+3PTZ, 4PTZ, Cylinder, AR Dewarp • Wall Mount: Fisheye, 360 Panorama Unwrap, Fisheye+3PTZ, 4PTZ, 2PTZ, AR Dewarp
Illuminator	
Illuminator Type	4× IR LED
Illuminator Distance	10 m (33 ft)
Illuminator On/Off Control	Auto/Scheduled/Always on/Always off
Video	
Max. Resolution	2560 × 1920
Main Stream	<ul style="list-style-type: none"> • Frame Rate: 50Hz: 1fps, 5fps, 10fps, 15fps, 20fps, 25fps 60Hz: 1fps, 5fps, 10fps, 15fps, 20fps, 25fps, 30fps • Resolution: 2560x1920, 2256x1696, 2048x1536, 1280x960 <p>Note: If the image rotation is set to 90° or 270°, the frame rate only supports up to 20fps. If WDR is on, the frame rate only supports up to 15fps.</p>

Sub-Stream	<ul style="list-style-type: none"> • Frame Rate: 50Hz: 1fps, 5fps, 10fps, 15fps, 20fps, 25fps 60Hz: 1fps, 5fps, 10fps, 15fps, 20fps, 25fps, 30fps • Resolution: 640x480, 320x240 <p>Note: If the image rotation is set to 90° or 270°, the frame rate only supports up to 20fps. If WDR is on, the frame rate only supports up to 15fps.</p>
Bit Rate Control	CBR, VBR
Video Compression	Main Stream: H.265/H.264/H.265+/H.264+ Sub-Stream: H.265/H.264
H.264 Type	High Profile
H.264+	Main Stream Supported
H.265 Type	Main Profile
H.265+	Main Stream Supported
Video Bit Rate	<ul style="list-style-type: none"> • Main Stream: 256 Kbps to 6 Mbps • Sub-Stream: 64 Kbps to 512 Kbps
Image	
Image Settings	<ul style="list-style-type: none"> • Mirror • Rotation • Brightness • Contrast • Saturation • Sharpness • Exposure • WDR • White balance • Prevent overexposure to infrared light • HLC Adjustable by Client Software
Image Enhancement	BLC/3D DNR/HLC/SmartIR
Wide Dynamic Range	120 dB
SNR	≥ 52 dB
Image Parameters Switch	Yes
Privacy Mask	Up to 4 Masks

ROI	1 Region
OSD Setting	Yes
Audio	
Audio Communication	Two-Way Audio
Audio Input	Yes (Built-in Microphone)
Audio Output	Yes (Built-in Speaker)
Audio Compression	Yes
Audio Sampling Rate	8KHz
Environment Noise Filtering	Yes
Audio Bit Rate	64 Kbps(G.711 alaw)
Network	
Protocols	TCP/IP, UDP, ICMP, HTTP, HTTPS, DHCP, 802.1x, DNS, RTSP, NTP, UPnP, SSL/TLS, FTP/SFTP, RTP, IPv4, IPv6, ARP, SMTP, SNMP, RTMP
ONVIF	Yes
API	Open Network Video Interface (Profile G/S/T)
Simultaneous Live View	3 Main Streams & 3 Sub-Streams
Client	VIGI App, Web UI, VIGI VMS, VIGI Cloud VMS, VIGI Config Tool, VIGI PC Client
Web Browser	<ul style="list-style-type: none"> • Google Chrome® 57 and above • Firefox® 52 and above • Safari® 11 and above • Microsoft® Edge 91 and above
Cloud	Yes
Security	Password Protection, HTTPS Encryption, IP Address Filter, Digest Authentication, 802.1X authentication
Alarm and Event Management	
Smart Event	<ul style="list-style-type: none"> • Intrusion Detection • Line-Crossing Detection • Region Entering Detection • Region Exiting Detection • Abnormal Sound Detection

Basic Event	<ul style="list-style-type: none"> • Motion Detection • Video Tampering Detection • Exception (Illegal Login)
Alarm Linkage	<ul style="list-style-type: none"> • Memory Card Video Recording • Upload Capture to FTP • Push Notifications • Active Defence-Sound Alarm • Email Alarm • Send to Alarm Server
Interface	
Network Interface	1 RJ45 10/100M Self-Adaptive Ethernet Port
On-board Storage	Built-In Memory Card Slot, Support MicroSD Card, up to 512 GB**
Built-in Speaker	Yes
Built-in Microphone	Yes; Records Anything Going on within a 16.4-ft (5 m) Radius of the Camera
Reset Button	Yes
Power	DC Power Port
General	
Operating Temperature	-30 °C to 60 °C (-22 °F to 140 °F)
Storage Temperature	-40 °C to 60 °C (-40 °F to 140 °F)
Operating Humidity	95% or Less (Non-Condensing)
Storage Humidity	95% or Less (Non-Condensing)
Package Contents	<ul style="list-style-type: none"> • VIGI Network Camera • Quick Start Guide • Waterproof Cable Attachments • Mounting Accessories
Power Supply	<ul style="list-style-type: none"> • 12V DC \pm 5%, Max. 11.76 W, 5.5mm Coaxial Power Plug • PoE: 802.3af/at, class 0, Max. 12.14W
Protection	IP67 Weatherproof, IK10 Vandal Proof
Material	Metal
Net Weight	<ul style="list-style-type: none"> • 0.44 Kg (without Mounting Accessories) • 0.48 Kg (with Mounting Accessories)
Product Dimensions	5.2 × 5.2 × 2.2 in (132 × 132 × 56mm)
Certifications	CE; NTRA; KC; FCC; VCCI; BSMI; ONVIF

Dimensions



Unit: inch [mm]

*Calculations based on laboratory testing using a 3MP VIGI camera, and an actual performance may vary according to the amount of activity recorded, resolution and other variables.

**The microSD card and pendant mounting kits are not included in the package.

Specifications are subject to change without notice and can be found at www.vigi.com.

©2026 TP-Link