

# Instruction Manual

## Premier Elite Impaq Contact-W

**RICOCHET™**

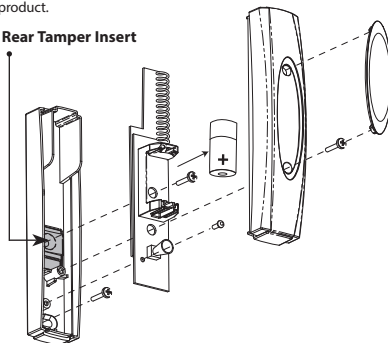
### INTRODUCTION

- For wireless connectivity, detailed programming and system set-up instructions please refer to the compatible RICOCHET™ technology enabled Premier Elite wireless expander instructions.
- Featuring RICOCHET™ wireless technology the Impaq Contact-W is designed for professional security installations.
- When using the Impaq Contact-W on an Entry/Exit route, or a 24HR door, or where chime is required, the device attributes should be left at default "Always Awake".
- Please see the Premier Elite 8XP-W/32XP-W Installation Manual for details of how to change the device attributes.

### ASSEMBLY

For rear tamper - fix both the detector AND the rear tamper insert to the mounting surface. Activation of rear tamper will damage product.

#### Rear Tamper Insert



### Battery

**Only replace with 3V Lithium CR123A.**

#### Battery Safety

- Do not throw into a fire
- Do not heat
- Do not charge
- Do not short circuit
- Do not disassemble
- Replace only with same or equivalent type
- Always observe local regulations when disposing of a battery
- Detector will transmit low battery warning when battery needs replacing

#### Reed Switch

#### Magnet

##### Non-Ferrous Mounting Material

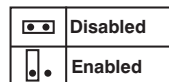
- Maximum Break = 30mm
- Minimum Make = 15mm

##### Ferrous Mounting Material

- Maximum Break = 15mm
- Minimum Make = 5mm

**Note: Values depend on mounting material. See Fig.1**

#### Reed Disable



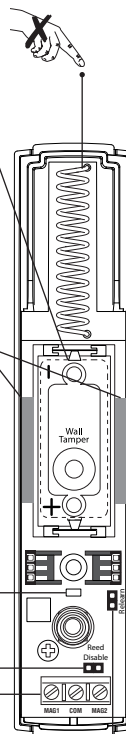
#### For wiring external wired contacts/switches



#### LED

#### Relearn

Place jumper on Relearn pin header and insert battery to learn device.



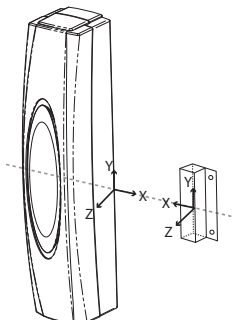
## ADDITIONAL INPUTS 1 & 2

The Impaq Contact-W has 2 additional inputs. These may be used for any N/C device and utilise wireless signal transmission to the receiver. Typical examples for use are:-

- Any locally powered device with a N/C output e.g. Smoke detectors, Glass Break detectors, Movement Sensors, Flood detectors etc.
- Any non-powered N/C device, e.g. Additional magnetic contacts, fixed PA buttons etc.
- The in-built reed switch can be disabled.
- Configuration and programming options are detailed in the Premier wireless expander installation manual.
- Certain features and functions are control panel software dependent.

## MAGNET POSITIONING

Fig.1



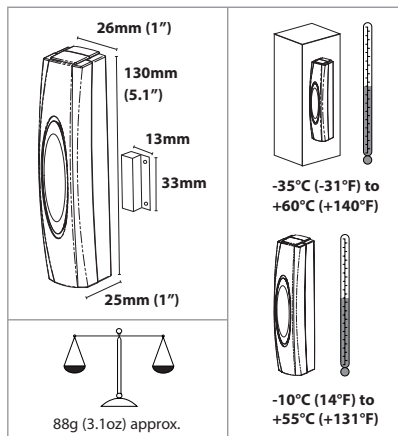
Magnets can be installed either side of the unit.  
(All distances in mm)

Material	Axis	Approach Min	Removal	
			Min	Max
Non-Ferrous	X	14	16	24
	Y	6	8	16
	Z	18	20	28
Ferrous	X	5	6	12
	Y	5	6	12
	Z	13	15	21

## LED STATUS INDICATION

Only available in walktest mode  
(See Premier wireless expander instructions)

<b>Flashing Green:</b>	With all contacts secure, will flash every 3 seconds.
<b>Red:</b>	Indicates either the reed switch or external contacts are active.



Min Approach - Magnets must be mounted within this distance of the contact, to ensure closure.

Min Removal - Minimum distance at which the contact may open. - This should be considered as the maximum distance that the door / window can move when it is secured.

Max Removal - Maximum distance at which the contact will open.

## STANDARDS

<b>Alarm Systems:</b>	EN50131-2-6, EN50131-5-3, EN50131-1, PD6662, Grade 2 Class II*
<b>EMC:</b>	EN50130-4:2011 ETSI EN301 489-03 V1.4.1
<b>R&amp;TTE:</b>	ETSI EN300-220 (V2.1.1)
<b>Environmental:</b>	EN50130-5:2011
<b>Frequency Band:</b>	868.0 - 868.6 MHz / 433.05 - 434.79 MHz 866.0 - 866.6 MHz • See product label
<b>Product Type:</b>	GBC1000-2 Frequency 868MHz GBC2000** Frequency 433MHz GBC3000** Frequency 866MHz
<b>Receiver:</b>	Category 1, Class 2
<b>Receiver LBT</b>	(Listen Before Talk) Yes
<b>Transmitter Duty Cycle</b>	868Mhz<1%, 433Mhz<10%
<b>Low Voltage Signal</b>	2.85V
<b>Operating Voltage</b>	3V
<b>Maximum current</b>	32mA
<b>Quiescent current</b>	60uA

\*Certified by Telefication BV

\*\* Not INCERT approved.

## WARRANTY

2 year replacement warranty (excludes battery).

The Impaq Contact-W is designed to detect the opening of a door/window and activate an alarm control panel. As the Impaq Contact-W is not a complete alarm system, but only a part thereof, Texecom cannot accept responsibility or liability for any damages whatsoever based on a claim that the Impaq Contact-W failed to function correctly.

Due to our policy of continuous improvement Texecom reserves the right to change specification without prior notice. All specifications are measured at 20°C (68°F).



Certificate Number: FM 35285

Made In England

HALMA GROUP COMPANY



Impaq and the wireless logo are trade marks of Texecom Ltd. © 2012  
The Impaq Contact-W is protected by European Registered Design. No: 269188-000  
INS468-7