

Technical information

About the unit:

- Pet immune PIR motion detector
- Operating temperature: -10°C to 55°C
- Relative humidity: 0% to 95% non-condensing

Warranty:

- 10 years

Mounting brackets:

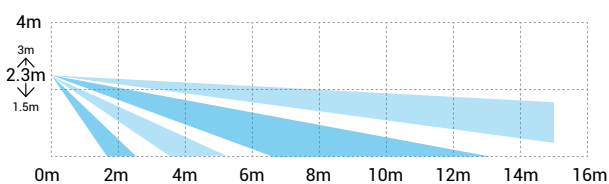
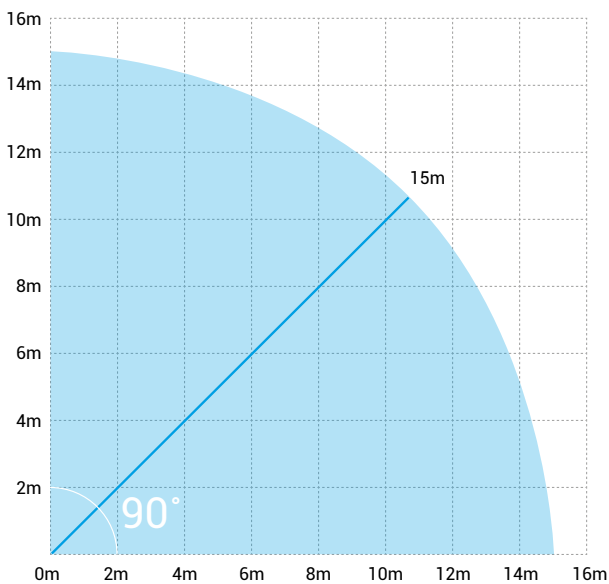
- Wall and ceiling
- Pack of 10 brackets (AFU-0004)



Product range comparison:

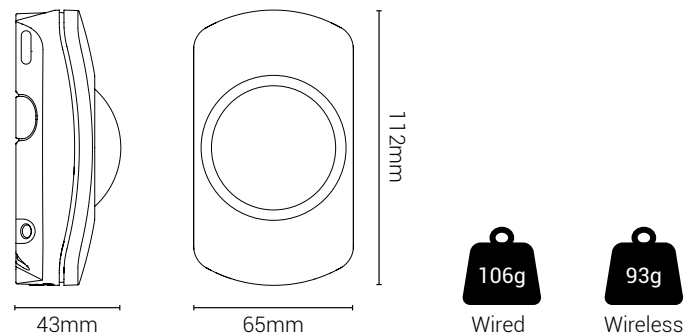
Model	Part Code	Description	Mounting	EN Grade	Compliance	Options	Pyro	Range	Coverage	Mounting Height	LED
PET	AKY-0001	15m Pet Immune PIR	Wall	G2	EN50131-2-2* EN50131-1* PD6662:2017 Grade 2 Class II*	Adjustable Pet Immunity	Dual	15m	90°	1.5m - 3m	Cyan
PET-W 868MHz	GDH-0001	Wireless 15m Pet Immune PIR	Wall	G2	EN50131-2-2* EN50131-1* PD6662:2017 Grade 2 Class II*	Adjustable Pet Immunity	Dual	15m	90°	1.5m - 3m	Tri-Colour
PET-W 866MHz	GDH-0002	Wireless 15m Pet Immune PIR	Wall	G2	EN50131-2-2* EN50131-1* PD6662:2017 Grade 2 Class II*	Adjustable Pet Immunity	Dual	15m	90°	1.5m - 3m	Tri-Colour

Coverage pattern:



*Self declared

Dimensions & Weight:



Power specifications	PET	PET-W
Operating Voltage	9 - 15Vdc	3Vdc
Maximum Current	12mA	18mA
Quiescent Current	9.3mA	21uA
Receiver	N/A	Category 1, Class 2
Receiver LBT	N/A	Listen Before Talk
Transmitter Duty Cycle	N/A	<1%
Max RF Power	N/A	10mW
Low Voltage Signal	N/A	2.85V

