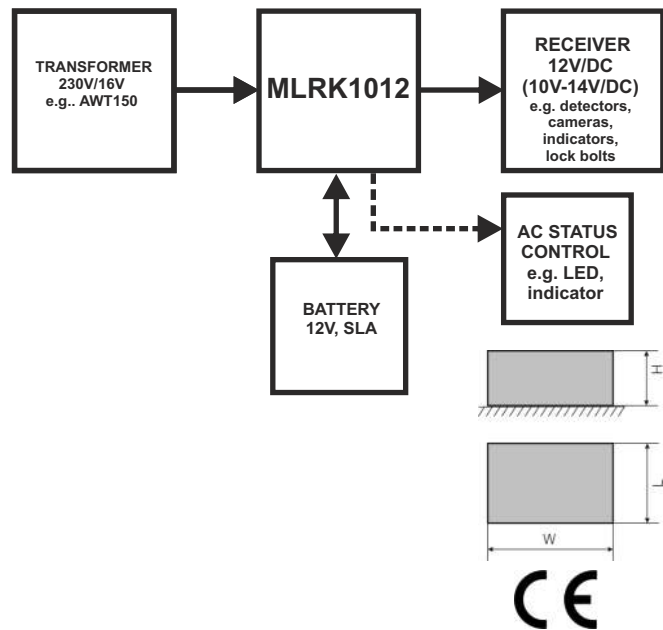


CODE: **MLRK 1012** v.1.2/VII
TYPE: **MLRK 13,8V/1A Buffer power supply module, linear with technical output FAC.**

EN*



Features:

- uninterrupted supply of 13,8VDC/1A
- linear voltage regulator
- supply voltage: external transformer required 16-17VAC (e.g. AWT150)
- battery charging and maintenance control
- deep discharge battery protection (UVP)
- battery output protection against a short circuit and reverse polarity connection
- battery charging current 0,1A
- START facility for manual battery connection
- LED indication
- FAC technical output indicating AC power collapse
- adjustable times indicating AC power failure
- protections:
 - SCP short-circuit protection
 - OLP overload protection
 - OHP overheat protection
 - surge protection
- warranty – 5 year from the production date

DESCRIPTION

A buffer PSU module is intended for an uninterrupted supply to alarm systems devices requiring stabilised voltage of **12V DC (+/-15%)**. A linear stabilizing system, which has been used in the unit, provides voltage with a lower level of noise and a quicker response to interference when compared to a switched-mode regulator. During buffer operation, the PSU provides voltage of **U=13,8V DC**, with total current efficiency of:

1. Output current **1A (without a battery)**
2. Output current **0,9A + 0,1A battery charge**

Total current of the receivers + battery: 1A max.

In case of power failure, a battery back-up is activated immediately.

MLRK series power supply module

Buffer power supply module, linear 13,8V with technical output FAC



SPECIFICATIONS	
Power supply	16V÷17V AC 30VA min.(e.g. AWT150)
Current consumption	1,9A max.
PSU power	14W
Output voltage	12,8V ÷ 13,8V DC – buffer operation
Output current	1A without a battery 0,9A + 0,1A battery charge
Output voltage adjustment range	12÷14,5V DC
Ripple voltage	5mV p-p max.
Battery charging current	0,3A (max.) 0,1A /24h (I _{sr} /24h) @ 7Ah/12V
Short-circuit protection SCP	200% ÷ 250% of PSU module power - current limiting and/or fuse damage in the battery circuit (fuse-element replacement required)
Overload protection OLP	110% ÷ 150% (@25°C) of PSU module power - current limiting with the PTC resettable fuse, manual restart (failure requires disconnection of the DC output circuit)
Battery circuit protection SCP and reverse polarity connection	2A- current limiting, F _{BAT} fuse (failure requires fuse-element replacement)
Deep discharge battery protection UVP	U<10 V (± 5%) – disconnection (-BAT) of the battery
Technical outputs: - FAC; output indicating AC power failure	R-relay type, 1A@ 30VDC/50VAC max. Time lag about 5s/
LED indication	Yes - LEDs
Operating conditions	2nd environmental class, temperature: -10 °C÷40 °C
Dimensions	90 x 55 x 72 (WxLxH) [mm] (+/- 2)
Net/gross weight	0,14kg / 0,17kg
Fixing	Dowel pins x 4 (PCB fi=4,2 mm)
Declarations, warranty	CE, 5 year from the production date
Connectors	Outputs: Ø0,41÷1,63 (AWG 26-14) BAT battery outputs: 6,3F-2,5, 30cm