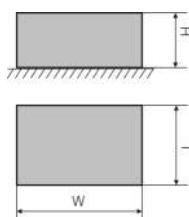
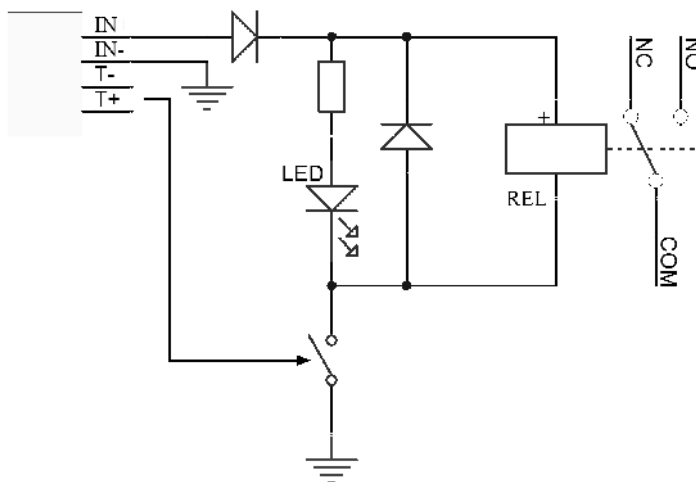


CODE: **AWZ610** v1.0/I
NAME: **MP1 Relay module**

EN



DESCRIPTION

The MP1 (AWZ610) relay module is to be used in low-voltage installations. It is intended for controlling and status indication in e.g. alarm or access control systems. It may be used to control devices of high power consumption via OC outputs of alarm systems. Moreover, it ensures galvanic isolation of signals, power sources relating to the outputs of the module. It is equipped with two separate T+, T- inputs used to trip relays with high or low condition.

SPECIFICATIONS

Voltage of the relay's coil	12V (10VDC÷14VDC)
Power consumption	45 mA max.
Number of relays	1
Voltage of the relay's contacts	30VDC / 50VAC max.
Tripping voltage T	T+ 5V÷ Unom. T- 0V ÷ (Unom. - 5V)
Current of the relay's contacts	2A max.
Operating conditions	II environmental class, -10°C ÷ 50°C
Dimensions	50 x 22 x 43 (WxHxD)
Net/gross weight	0,03 / 0,05 [kg]
Installation:	installation tape or installation bolt x 2
Declarations, warranty	CE, 2 year from the production date
Notes	leads on connections: Ø 0,41÷1,63 (AWG 26-14), 0,2÷1mm ²