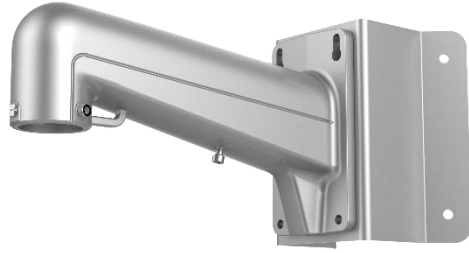


DS-1602ZJ-Corner-P

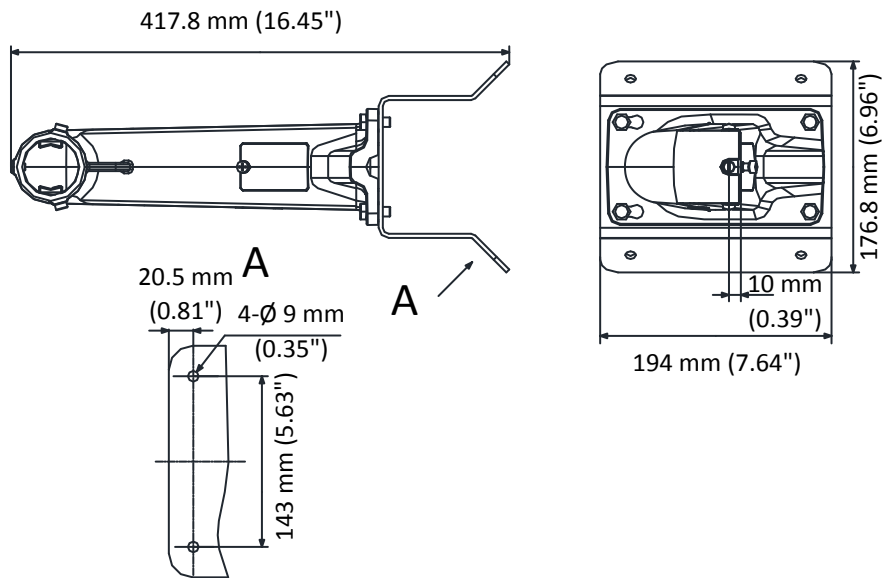
Corner Mount for Speed Dome



Feature

- Aluminum alloy and steel with surface spray treatment
- The hook for safety rope facilitates speed dome's installation
- Waterproof design

Dimension



Available Model

DS-1602ZJ-Corner-P

Parameter

Model	DS-1602ZJ-Corner-P
Parameters	Corner Mount for Speed Dome
Appearance	Platinum Gray
Material	Aluminum Alloy & Steel
Dimension	417.8 mm × 176.8 mm × 194 mm (16.45" × 6.99" × 7.64")
Weight	2809 g (6.19 lb.)

Note

- The mount should be installed on the flat surface.
- The waterproof rubber is necessary for the outdoor application.
- The wall must be capable of supporting at least 3 times as much as the total weight of the speed dome and the mount.
- The mount's maximum load capacity is 10 Kg (22 lb.).