

DS-2CD6D24FWD-(I)Z(H)(S)(/NFC) Quad-Directional Varifocal PanoVu Camera



smart IPC

- 1/2.7" Progressive Scan CMOS
- 1920 × 1080 @ 30fps
- FOV: horizontal 30° to 96.3°, vertical 17° to 54°, diagonal 34° to 121°
- H.265, H.264, H.265+, H.264+
- Fiber optical transmission, optional
- 10 m to 30 m IR range
- IP67, IK10
- 4 flexible lens
- 6 behavior analyses, 4 exception detection, and face detection



Specifications

Camera		
Image Sensor	1/2.7" Progressive Scan CMOS	
Min. Illumination	Color: 0.006 Lux @ (F1.2, AGC ON), 0.01 Lux @ (F1.6, AGC ON) B/W: 0.002 Lux @ (F1.2, AGC ON); 0.003 Lux @ (F1.6, AGC ON) 0 Lux with IR on	
Shutter Speed	1 s - 1/100,000 s	
Auto-iris	No	
Day & Night	IR Cut Filter	
Digital Noise Reduction	3D DNR	
WDR	120 dB	
3-Axis Adjustment	Four flexible lens in one track, slide range: -180° to 180°, tilt: 0° to 135°, rotate: 0° to 355°	
Lens		
Focal length	2.8mm to 12mm	
Aperture	F1.6	
FOV	Horizontal field of view: 30° to 96.3° Vertical field of view: 17° to 54° Diagonal field of view: 34° to 121°	
Lens Mount	Φ14	
IR		
IR Range	10 m to 30 m	
Wavelength	850 nm	
Compression Standard		
Video Compression	Main stream: H.265+/H.265/H.264+/H.264 Sub stream: H.265/H.264/MJPEG Third stream: H.265/H.264	
H.264 Type	Baseline Profile/Main Profile/High Profile	
H.264+	Support	
H.265 Type	Main Profile	
H.265+	Support	
Video Bit Rate	32 Kbps to 16 Mbps	
Audio Compression	G.711/G.722.1/G.726/MP2L2/PCM/AAC	
Audio Bit Rate	64Kbps(G.711)/16Kbps(G.722.1)/16Kbps(G.726)/32-192Kbps(MP2L2)/16-64Kbps(AAC)	
Smart Feature-set		
Behavior Analysis	Line crossing detection, intrusion detection, region entrance detection, region exiting detection, unattended baggage detection, object removal detection	
Exception Detection	Audio exception detection, scene change detection, defocus detection	
Face Detection	Yes	
Region of Interest	Support 4 fixed region for each stream	
Image		
Max. Resolution	1920 × 1080	
Original Image	Main stream	50Hz: 25fps (1920 × 1080, 1280 × 960, 1280 × 720) 60Hz: 30fps (1920 × 1080, 1280 × 960, 1280 × 720)
	Sub-stream	50Hz: 25fps (704 × 576, 640 × 480) 60Hz: 30fps (704 × 480, 640 × 480)
	Third stream	50Hz: 25fps (1920 × 1080, 1280 × 960, 1280 × 720, 704 × 576, 640 × 480)

	60Hz: 30fps (1920 × 1080, 1280 × 960, 1280 × 720, 704 × 480, 640 × 480)
Image Enhancement	BLC, 3D DNR, EIS
Image Setting	Rotate mode, saturation, brightness, contrast, sharpness, and white balance are adjustable by client software or web browser
SVC	H.264 Support
Day/Night Switch	Day/Night/Auto/Schedule/Triggered by Alarm In (-S)
Picture Overlay	LOGO picture can be overlaid on video with 128 × 128 24bit bmp format
Network	
Network Storage	Support Micro SD/SDHC/SDXC card (128G), local storage and NAS (NFS,SMB/CIFS), ANR
Alarm Trigger	Motion detection, video tampering alarm, network disconnected, IP address conflict, illegal login, HDD full, HDD error
Protocols	TCP/IP, ICMP, HTTP, HTTPS, FTP, DHCP, DNS, DDNS, RTP, RTSP, RTCP, PPPoE, NTP, UPnP, SMTP, SNMP, IGMP, 802.1X, QoS, IPv6, UDP
General Function	One-key reset, anti-flicker, mirror, heartbeat, password protection, privacy mask, watermark, IP address filter
API	ONVIF (PROFILE S, PROFILE G), ISAPI
Simultaneous Live View	Up to 20 channels
User/Host	Up to 32 users 3 levels: Administrator, Operator and User
Client	iVMS-4200
Web Browser	IE8+, Chrome31-44, Firefox 30.0 - 51
Interface	
Audio (-S)	1-ch 3.5 mm input (line in/Mic in), 1-ch 3.5mm output, dual-track, stereo
Communication Interface	1 RJ45 10M/100M/1000M Ethernet port 1 RS-485 interface (-S) 1 1000M FC fiber optical interface (-/NFC)
Alarm (-S)	2 input, 2 output (up to 24 VD, 1A or 110 VAC, 500mA)
On-board storage	Built-in Micro SD/SDHC/SDXC slot, up to 128 GB
Reset Button	Yes
Audio	
Environment Noise Filtering	Support
Audio Sampling Rate	8 kHz/16 kHz/32 kHz/44.1 kHz/48 kHz
Fiber Optical	
Interface Type	FC interface
Optical Type	Single mode, single fiber
Input/output Wavelength	Tx1310nm/1.25G, Rx1550nm/1.25G
Transmission Distance	20 km
General	
Operating Conditions	-30 °C to 60 °C (-22 °F to 140 °F). -H: -40 °C to 60 °C (-40 °F to 140 °F) Humidity 95% or less (non-condensing)
Power Supply	12 VDC ± 20%, 24 VAC ± 20% (for customization), three-core terminal block, -I, -IZHS/NFC: Hi-PoE: 42.5 VDC to 57 VDC, -Z: PoE (802.3at)
Power Consumption and Current	12 VDC ± 20%: max. 28 W/2.3 A 24 VAC ± 20%, max. 50 to 60 Hz/2.5 A (for customization) -I, -IZHS/NFC: Hi-PoE: 42.5 VDC to 57 VDC, max. 34W/0.9 A to 0.6 A -Z: PoE (802.3at): 42.5 VDC to 57 VDC, max. 17W
Protection Level	IP67, IK10
Material	Aluminum alloy, engineering plastics

Dimensions	Camera: Ø290 mm × 145.5 mm (Ø11.42" × 5.73") Package: 453 mm × 393 mm × 385 mm (17.8" × 15.47" × 15.16")
Weight	Camera: Approx. 4.7 kg (10.3 lb.) With package: Approx. 7.7 kg (16.8 lb.)

**The VCA function can be enabled for any channel separately, or for both Camera 01 and Camera 03, or Camera 02 and Camera 04.*

Available Models

DS-2CD6D24FWD-Z

DS-2CD6D24FWD-IZ

DS-2CD6D24FWD-IZHS/NFC

-I: IR supported

-H: heater supported, start-up in -40°C

-S: 1 audio input (line in), 1 audio output, 2 alarm input and 2 alarm output, and 1 RS-485 interface

-/NFC: fiber optical transmission supported

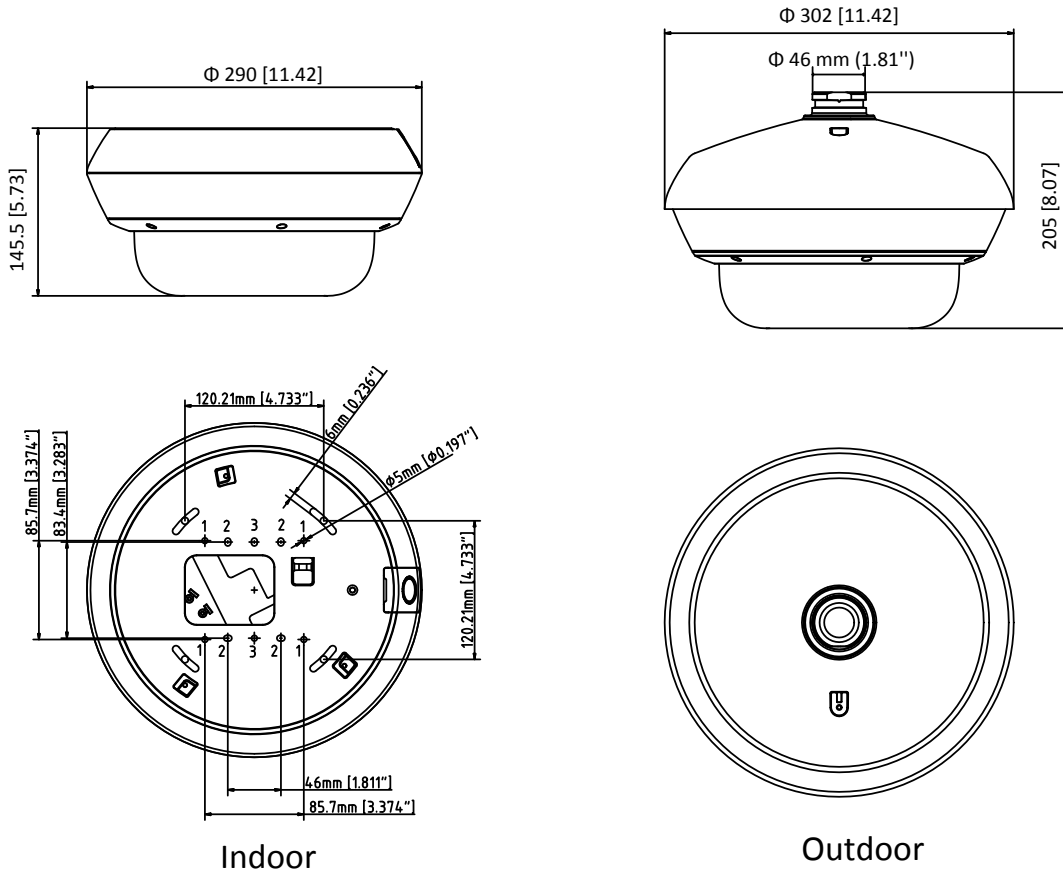
▪ Typical Application

Hikvision products are classified into three levels according to their anti-corrosion performance. Refer to the following description to choose for your using environment.

This model has NO SPECIFIC PROTECTION.

Level	Description
Top-level protection	Hikvision products at this level are equipped for use in areas where professional anti-corrosion protection is a must. Typical application scenarios include coastlines, docks, chemical plants, and more.
Moderate protection	Hikvision products at this level are equipped for use in areas with moderate anti-corrosion demands. Typical application scenarios include coastal areas about 2 kilometers (1.24 miles) away from coastlines, as well as areas affected by acid rain.
No specific protection	Hikvision products at this level are equipped for use in areas where no specific anti-corrosion protection is needed.

Dimensions



Indoor

Outdoor

Accessories



DS-1602ZJ
Wall Mount



DS-1603ZJ
Wall Mount



DS-1663ZJ
Pendant Mount



DS-1661ZJ
Pendant Mount



DS-1275ZJ
Vertical Pole Mount



DS-1276ZJ
Corner Mount



DS-1673ZJ
Horizontal Pole Mount

Distributed by



HIKVISION®

Headquarters

No.555 Qianmo Road, Binjiang District,
Hangzhou 310051, China
T +86-571-8807-5998
overseasbusiness@hikvision.com

Hikvision USA
T +1-909-895-0400
sales.usa@hikvision.com

Hikvision Australia
T +61-2-8599-4233
salesau@hikvision.com

Hikvision India
T +91-22-28469900
sales@pramahikvision.com

Hikvision Canada
T +1-866-200-6690
sales.canada@hikvision.com

Hikvision Thailand
T +662-275-9949
sales.thailand@hikvision.com

Hikvision Europe
T +31-23-5542770
sales.eu@hikvision.com

Hikvision Italy
T +39-0438-6902
info.it@hikvision.com

Hikvision Brazil
T +55 11 3318-0050
Latam.support@hikvision.com

Hikvision Turkey
T +90 (216)521 7070- 7074
sales.tr@hikvision.com

Hikvision Malaysia
T +601-7652-2413
sales.my@hikvision.com

Hikvision UK & Ireland
T +01628-902140
sales.uk@hikvision.com

Hikvision South Africa
Tel: +27 (10) 0351172
sale.africa@hikvision.com

Hikvision France
T +33(0)1-85-330-450
info.fr@hikvision.com

Hikvision Kazakhstan
T +7-727-9730667
nikia.panfilov@hikvision.ru

Hikvision Vietnam
T +84-974270888
sales.vt@hikvision.com

Hikvision UAE
T +971-4-4432090
salesme@hikvision.com

Hikvision Singapore
T +65-6684-4718
sg@hikvision.com

Hikvision Spain
T +34-91-737-16-55
info.es@hikvision.com

Hikvision Tashkent
T +99-87-1238-9438
uzb@hikvision.ru

Hikvision Hong Kong
T +852-2151-1761
info.hk@hikvision.com

Hikvision Russia
T +7-495-669-67-99
saleru@hikvision.com

Hikvision Korea
T +82-(0)31-731-8817
sales.korea@hikvision.com

Hikvision Poland
T +48-22-460-01-50
info.pl@hikvision.com

Hikvision Indonesia
T +62-21-2933759
Sales.Indonesia@hikvision.com

Hikvision Colombia
sales.colombia@hikvision.com