

DS-2CD6984G0-IH(S)(Y)(AC)(/NFC) 180° Stitched 32 MP PanoVu Camera



- 180° splicing image: the image presented includes the full panoramic view covered by the camera
- Built-in heater, ultra-low temperature start up to -40 °C (-40 °F)
- Water and dust resistant (IP67) and vandal proof (IK10)
- High resolution 32 MP: capturing clear images, and allowing for more details to be displayed on a video wall
- DarkFighter technology captures high quality color images even in dimly light environments

▪ Specification

Camera	
Image Sensor	1/1.8" Progressive Scan CMOS
Max. Resolution	8160 × 3616
Min. Illumination	Color: 0.009 Lux @ (F1.2, AGC ON), 0.012 Lux @ (F1.4, AGC ON) B/W: 0.0009 Lux @ (F1.2, AGC ON), 0.0012 Lux @ (F1.4, AGC ON), 0 Lux with IR
Shutter Time	1/25 s to 1/100,000 s
Day & Night	IR cut filter
Angle Adjustment	Pan: 0° to 355°, tilt: 0° to 90°
Lens	
Lens Type	Fixed focal lens, 2.8 mm, four lenses
Focal Length & FOV	2.8 mm, Single lens image: horizontal FOV 102°, vertical FOV 55°, diagonal FOV 120°, Panorama Image: horizontal FOV 180°, vertical FOV 95°
Lens Mount	M12
Aperture	F1.4
Illuminator	
Supplement Light Type	IR, four IR LEDs
Supplement Light Range	Up to 20 m
IR Wavelength	850 nm
Video	
Main Stream	Panorama mode: 50 Hz: 25 fps (8160 × 3616, 8160 × 2304) 60 Hz: 30 fps (8160 × 3616, 8160 × 2304) Original mode: 50 Hz: 25 fps (3840 × 2160, 3072 × 1728, 2560 × 1440, 1920 × 1080, 1280 × 720) 60 Hz: 30 fps (3840 × 2160, 3072 × 1728, 2560 × 1440, 1920 × 1080, 1280 × 720) Panorama + ePTZ mode: Panorama channel: 50 Hz: 25 fps (3840 × 2160, 3072 × 1728, 2560 × 1440, 1920 × 1080, 1280 × 720) 60 Hz: 30 fps (3840 × 2160, 3072 × 1728, 2560 × 1440, 1920 × 1080, 1280 × 720) ePTZ channel: 50 Hz: 25 fps (1920 × 1080, 1280 × 720) 60 Hz: 30 fps (1920 × 1080, 1280 × 720) Divided panorama mode: 50 Hz: 25 fps (2032 × 3616) 60 Hz: 30 fps (2032 × 3616)
Video Compression	Main stream: H.265/H.264
Video Bit Rate	32 Kbps to 16 Mbps
H.264 Type	Baseline Profile, Main Profile, High Profile
H.265 Type	Main Profile
Scalable Video Coding (SVC)	H.264 and H.265 encoding
Audio	
Audio Compression	-S: G.711/G.722.1/G.726/MP2L2/PCM
Audio Bit Rate	-S: 64 Kbps (G.711)/16 Kbps (G.722.1)/16 Kbps (G.726)/32 to 192 Kbps (MP2L2)

Audio Sampling Rate	-S: 8 kHz/16 kHz/32 kHz/44.1 kHz/48 kHz
Environment Noise Filtering	-S: Yes
Network	
Protocols	TCP/IP, ICMP, HTTP, HTTPS, FTP, DHCP, DNS, DDNS, RTP, RTSP, RTCP, PPPoE, NTP, UPnP, SMTP, SNMP, IGMP, 802.1X, QoS, IPv6, UDP, Bonjour
Simultaneous Live View	Up to 20 channels
API	Open Network Video Interface (Profile S, Profile G), ISAPI
User/Host	Up to 32 users 3 user levels: administrator, operator, and user
Network Storage	NAS (NFS, SMB/CIFS), Auto Network Replenishment (ANR)
Client	iVMS-4200
Web Browser	IE8+, Chrome 31.0-44, Firefox 30.0-51, Safari 8.0+
Image	
Image Settings	Rotate mode (only original mode supports), saturation, brightness, contrast, sharpness, AGC and white balance adjustable by client software or web browser
Day/Night Switch	Day, Night, Auto, Schedule, Alarm Trigger (only -S model supports)
Wide Dynamic Range (WDR)	Digital WDR
Image Enhancement	BLC, HLC, 3D DNR, Defog, EIS (only original mode supports)
Interface	
Ethernet Interface	1 RJ45 10 M/100 M/1000 M self-adaptive Ethernet port
On-Board Storage	Built-in memory card slot, support microSD/microSDHC/microSDXC card, up to 128 GB
Audio	-S: 1 input (line in), 3.5 mm 3-section connector, max. input amplitude: 1 Vpp, input impedance: 4.7 K Ω , interface type: non-equilibrium, 1 output (line out), 3.5 mm 3-section connector, max. output amplitude: 1 Vpp, output impedance: 100 Ω , interface type: non-equilibrium
Alarm	-S: 2 Inputs, 2 outputs (max. 12 VDC, 1 A)
RS-485	-S: 1 RS-485 (Half duplex, HIKVISION, Pelco-P, Pelco-D, self-adaptive)
Reset Key	Yes
Event	
Basic Event	Exception (network disconnected, IP address conflict, illegal login, HDD full, HDD error)
General	
Power	Without -AC: 12 VDC \pm 20%, 1.4 A, max. 17 W, three-core terminal block, PoE: IEEE 802.3at, Class 4, 42.5 V to 57 V, max. 23 W -AC: 24 VAC \pm 20%, 1.2 A, 50 Hz, three-core terminal block, PoE: IEEE 802.3at, Class 4, 42.5 V to 57 V, max. 23 W
Material	Aluminum alloy & plastic
Dimension	190 mm \times 208 mm \times 207 mm (7.5" \times 8.2" \times 8.1")
Package Dimension	336 mm \times 261 mm \times 293 mm (13.2" \times 10.3" \times 11.5")
Weight	Approx. 3.5 kg (7.7 lb.)
Storage Conditions	-40 $^{\circ}$ C to 60 $^{\circ}$ C (-40 $^{\circ}$ F to 140 $^{\circ}$ F). Humidity 95% or less (non-condensing)
Startup and Operating Conditions	-40 $^{\circ}$ C to 60 $^{\circ}$ C (-40 $^{\circ}$ F to 140 $^{\circ}$ F). Humidity 95% or less (non-condensing)
Language	33 languages: English, Russian, Estonian, Bulgarian, Hungarian, Greek, German, Italian, Czech, Slovak, French, Polish, Dutch, Portuguese, Spanish, Romanian, Danish, Swedish, Norwegian, Finnish, Croatian, Slovenian, Serbian, Turkish, Korean, Traditional Chinese, Thai, Vietnamese, Japanese, Latvian, Lithuanian, Portuguese (Brazil), Ukrainian

General Function	One-key reset, anti-flicker, heartbeat, mirror, password protection, watermark, IP address filter (only original mode supports)
Heater	Yes
Approval	
EMC	CE-EMC: EN 55032: 2015, EN 61000-3-2:2019, EN 61000-3-3: 2013+A1:2019, EN 50130-4: 2011 +A1: 2014, RCM: AS/NZS CISPR 32: 2015, IC: ICES-003: Issue 7, KC: KN32: 2015, KN35: 2015
Safety	CB: IEC 62368-1: 2014+A11, CE-LVD: EN 62368-1: 2014/A11: 2017, BIS: IS 13252 (Part 1): 2010/IEC 60950-1: 2005, LOA: IEC/EN 60950-1
Environment	CE-RoHS: 2011/65/EU, WEEE: 2012/19/EU, Reach: Regulation (EC) No 1907/2006
Protection	IP67: IEC 60529-2013, IK10: IEC 62262:2002
Anti-Corrosion Protection	-Y: NEMA 4X (NEMA 250-2018)

▪ Typical Application

Hikvision products are classified into three levels according to their anti-corrosion performance. Refer to the following description to choose for your using environment.

With -Y model: This model has MODERATE PROTECTION.

Without -Y model: This model has NO SPECIFIC PROTECTION.

Level	Description
Top-level protection	Hikvision products at this level are equipped for use in areas where professional anti-corrosion protection is a must. Typical application scenarios include coastlines, docks, chemical plants, and more.
Moderate protection	Hikvision products at this level are equipped for use in areas with moderate anti-corrosion demands. Typical application scenarios include coastal areas about 2 kilometers (1.24 miles) away from coastlines, as well as areas affected by acid rain.
No specific protection	Hikvision products at this level are equipped for use in areas where no specific anti-corrosion protection is needed.

▪ Available Model

DS-2CD6984G0-IHSAC/NFC(2.8mm)

DS-2CD6984G0-IHS/NFC(2.8mm)

DS-2CD6984G0-IHS(2.8mm)

DS-2CD6984G0-IHS(6mm)

DS-2CD6984G0-IH(2.8mm)

DS-2CD6984G0-IH(6mm)

DS-2CD6984G0-IHSAC(2.8mm)

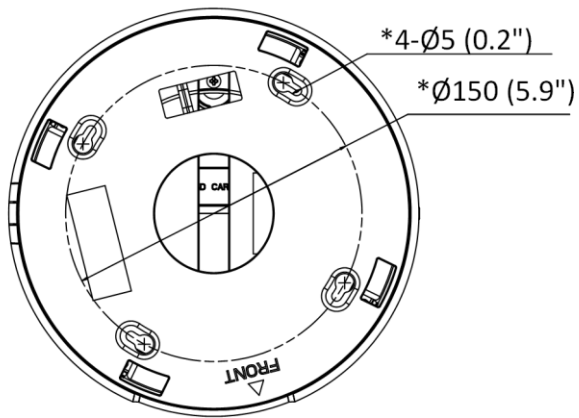
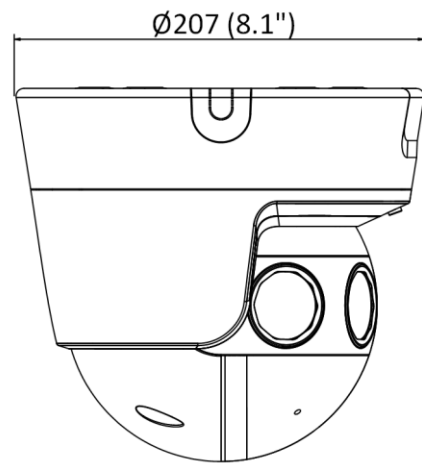
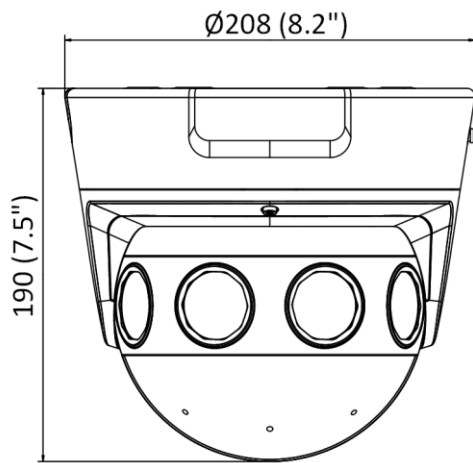
DS-2CD6984G0-IHAC(2.8mm)

DS-2CD6984G0-IHS(2.8mm)(D)

DS-2CD6984G0-IHSY(2.8mm)

DS-2CD6984G0-IHSY(2.8mm)(D)

▪ Dimension



Unit: mm (inch)

▪ **Accessory**

▪ **Optional**

DS-1604ZJ-box Wall Mount	DS-1660ZJ Parapet Wall Mount	DS-1661ZJ Pendant Mount	DS-1662ZJ Pendant Mount	DS-1602ZJ-Pole Vertical pole mount
				
DS-1663ZJ Ceiling Mount	DS-1602ZJ-Corner Corner mount	DS-1619ZJ Pendant Mount	DS-1602ZJ Wall mount	
				

Headquarters

No.555 Qianmo Road, Binjiang District,
Hangzhou 310051, China
T +86-571-8807-5998
www.hikvision.com



Follow us on social media to get the latest product and solution information.

