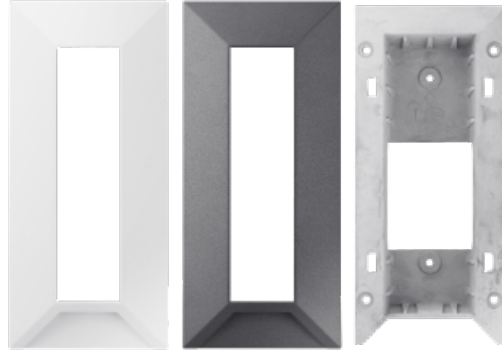


# SHS-165F

Flush Mount with Cover



FC |  | CE | ENEC

## Key Features

- Material : Poly Carbonate, Aluminium
- Dimensions : 98.2(W)x52.7(D)x214.3(H)mm(3.87x2.07x8.44")
- Weight: 185g(0.41lb)

**Environmental**

<b>Operating Temperature / Humidity</b>	-30°C~+55°C(-22°F~+131°F) / 0~100% RH
-----------------------------------------	---------------------------------------

<b>Storage Temperature / Humidity</b>	-30°C~+55°C(-22°F~+131°F) / 0~100% RH
---------------------------------------	---------------------------------------

**Mechanical**

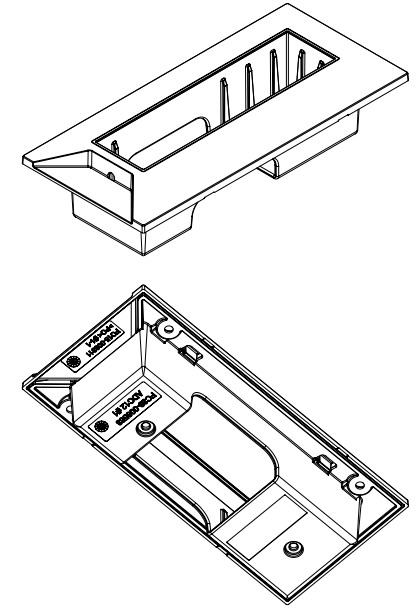
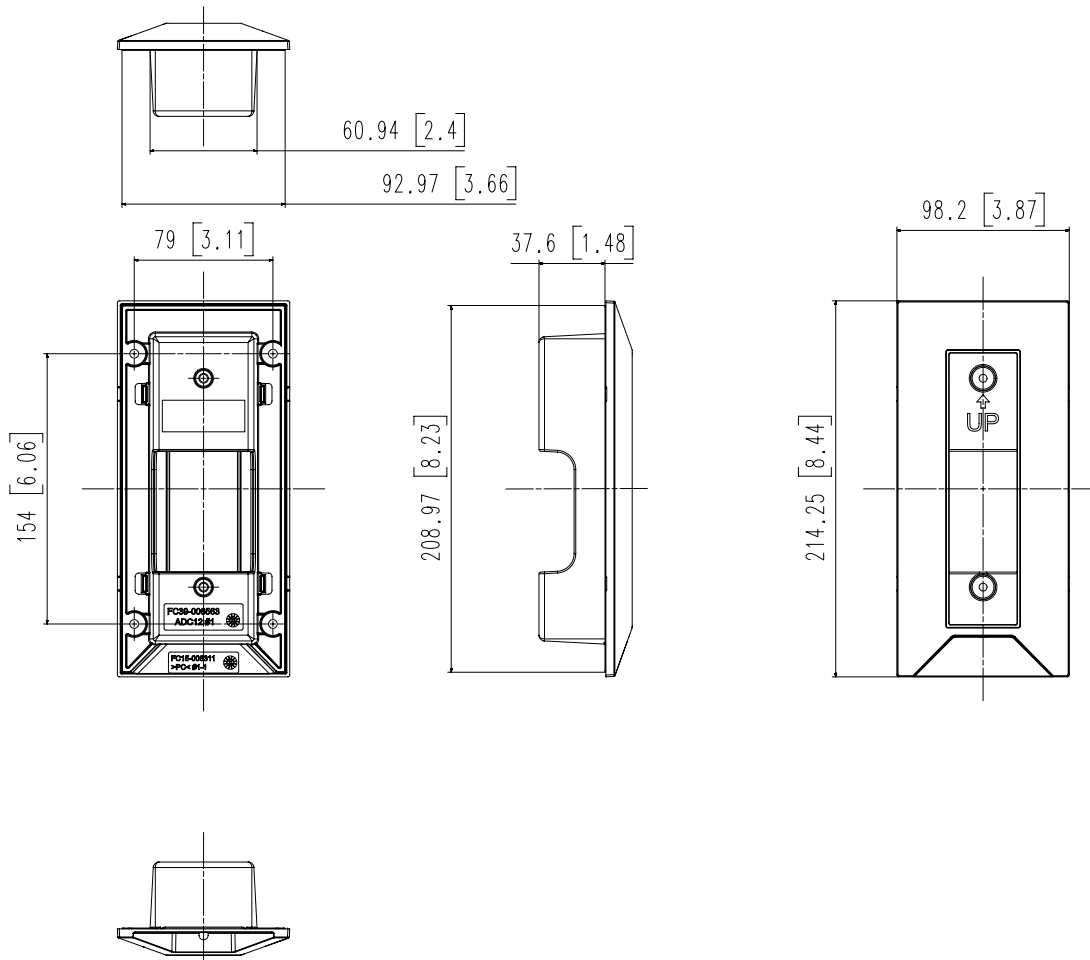
<b>Color</b>	White, Dark gray
--------------	------------------

<b>Material</b>	Poly Carbonate, Aluminium
-----------------	---------------------------

<b>Product dimensions / weight</b>	98.2(W)x52.7(D)x214.3(H)mm(3.87x2.07x8.44"), 185g(0.41lb)
------------------------------------	-----------------------------------------------------------

<b>Supported products</b>	TID-600R
---------------------------	----------

- The latest product information / specification can be found at [hanwha-security.com](http://hanwha-security.com)
- Design and specifications are subject to change without notice.
- Wisenet is the proprietary brand of Hanwha Techwin, formerly known as Samsung Techwin.



3	파생 MODEL2	
2	파생 MODEL1	
1	SHS-165F	21.08.06
No.	MODEL NAME	DATE
Unit:mm[inch]		SCALE:1/1
Hanwha Techwin		