



# SHD-2510FPW

In-ceiling Mount



## Key Features

- Body : Aluminum / Rim : PC
- Dimensions : Ø352 x H106mm (13.86" x 4.17")
- Weight : 2,100g (4.63 lb)
- Color : White

# SHD-2510FPW

In-ceiling Mount



## Specifications

---

Mechanical	
Color	Rim : White
Material	Body : Aluminum Rim : PC
RAL code	RAL9003
Product dimensions / weight	Ø352 x H106mm (13.86" x 4.17") / 2,100g (4.63 lb)
Supported products	PNM-9084QZ / PNM-8082VT ※ For further compatible models, please visit our website or use Toolbox

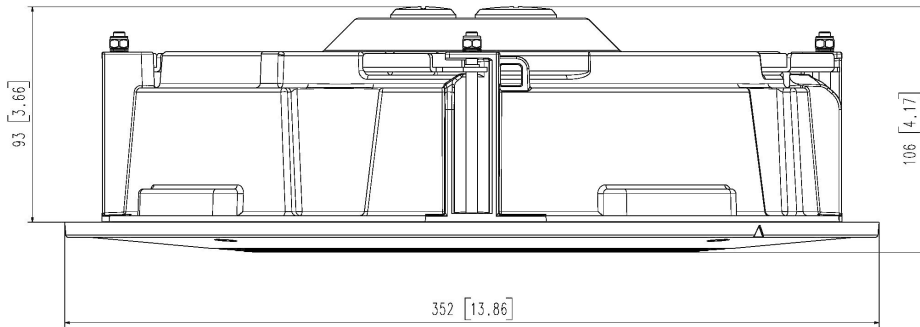
# SHD-2510FPW

In-ceiling Mount



CAD

Unit:mm [inch]



3	파싱 MODEL2	
2	파싱 MODEL1	
1	SHD-2510FPW	'20.09.16
No.	MODEL NAME	DATE
Unit:mm[inch] SCALE:1/1		Hanwha Techwin

© Hanwha Techwin Co.,Ltd. All rights reserved.