

SHD-1198FW

In-ceiling Housing



Key Features

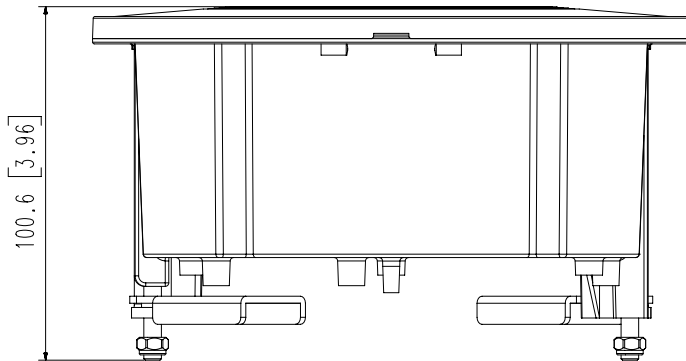
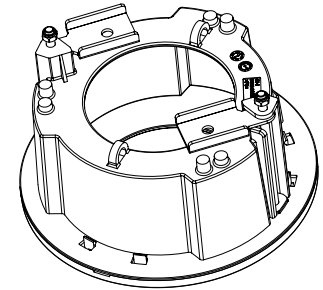
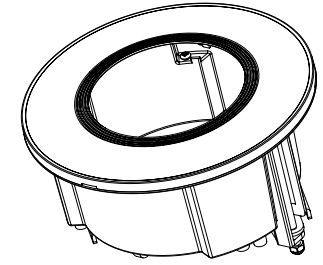
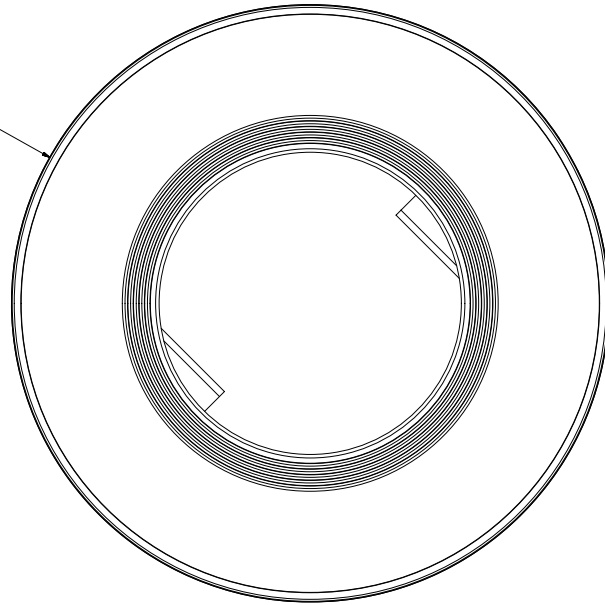
- Poly carbonate
- Dimensions : Ø170 X 100.6(H)
- Weight : 320g
- Color: White

Mechanical

Color	White
Material	Plastic
RAL code	RAL9003
Product dimensions / weight	Ø170 X 100.6(H)mm (6.72x3.96"), 320g (0.71 lb)
Supported products	QND-8080R/7080R/6082R/6072R, LND-6072R, HCD-7080R/7070RA/6080R/6070R, SCD-6085R ※ For further compatible models, please visit our website or use Toolbox

- The latest product information / specification can be found at hanwha-security.com
- Design and specifications are subject to change without notice.
- Wisenet is the proprietary brand of Hanwha Techwin, formerly known as Samsung Techwin.

∅ 170 [6.69]



A2

© Hanwha Techwin Co.,Ltd. All rights reserved.

3		
2		
1	SHD-1198FW	'19.11.12
No.	MODEL NAME	DATE
Unit:mm[inch]		SCALE:1/1
Hanwha Techwin		