



# SBU-500WM

Positioning System Mount



## Key Features

- For Positioning System only

## Compatible Accessories (Optional)



TNU-6320



TNU-6321



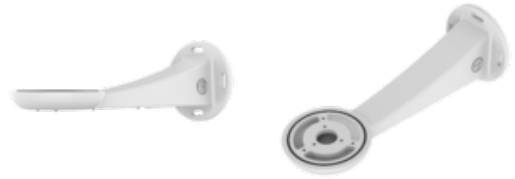
TNU-4041T



TNU-4051T

# SBU-500WM

Positioning System Mount



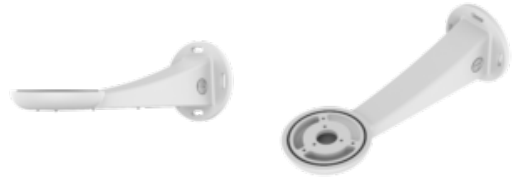
## Specifications

---

Mechanical	
Color	White
Material	Aluminum
Product dimensions / weight	ø151.7x425.5mm, 2.5Kg(5.51lb)
Supported products	TNU-6320/6321, TNU-4041T/4051T

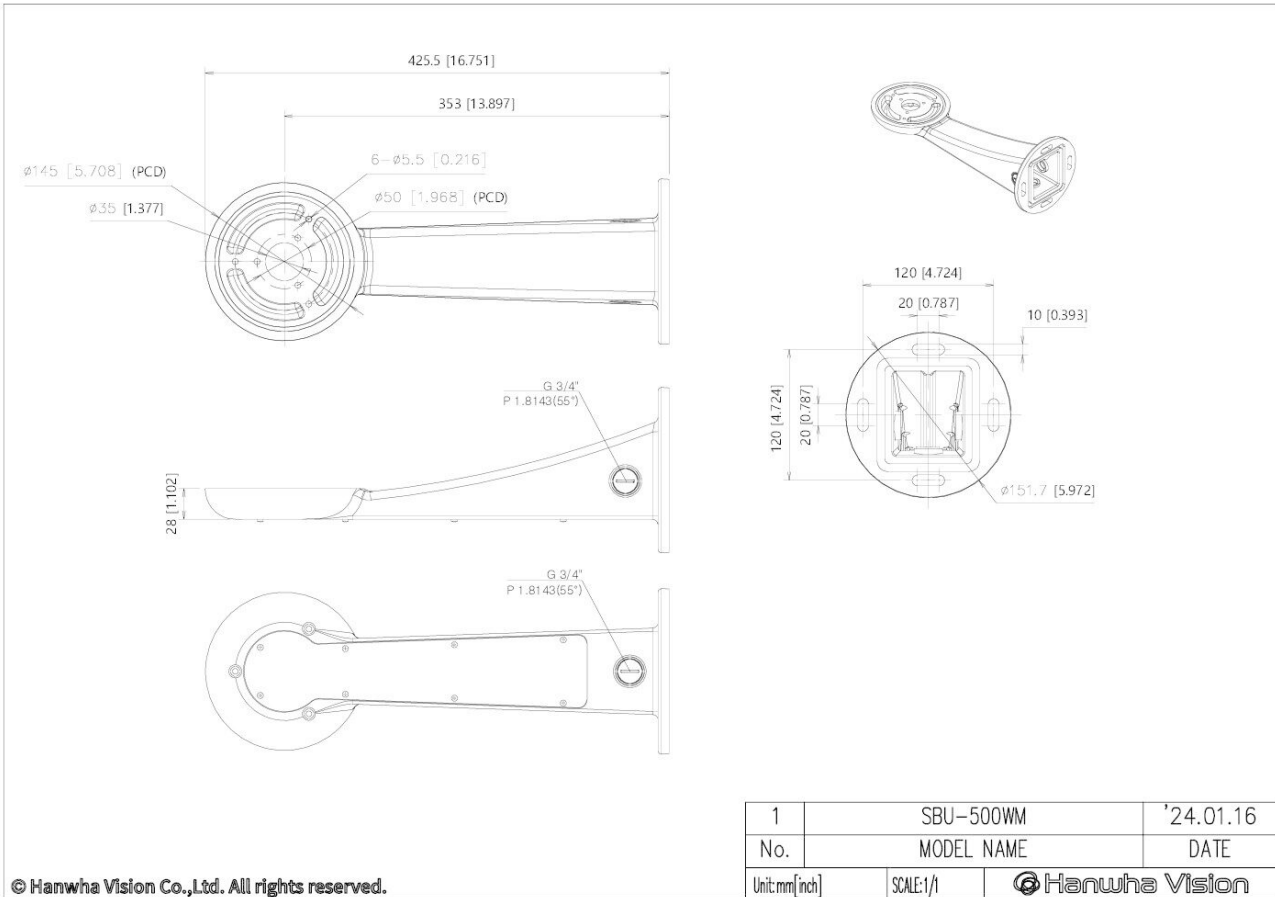
# SBU-500WM

Positioning System Mount



CAD

Unit:mm [inch]



© Hanwha Vision Co.,Ltd. All rights reserved.