



SBC-200B

Skin Cover



Key Features

- Dimensions : $\phi 199.9 \times 33.9 \text{mm}$ ($\phi 7.87" \times 1.34"$)
- Weight : 65g (0.14lb)
- Material : PC (Polycarbonate)
- Color : Black
- Totally 3pcs included on package

Compatible Accessories (Optional)



PNM-C16013RVQ

SBC-200B

Skin Cover



Specifications

Mechanical	
Color	Black
Material	PC(Polycarbonate)
RAL code	RAL9005
Product dimensions / weight	ø199.9x33.9mm(ø7.87"x1.34") / 65g (0.14lb) ※ Totally 3pcs included on package
Conduit hole	None ※ 19.1mm(3/4")(M25) supported with using conduit adaptor (SBP-060BA)
Supported products	PNM-C16013RVQ

SBC-200B

Skin Cover

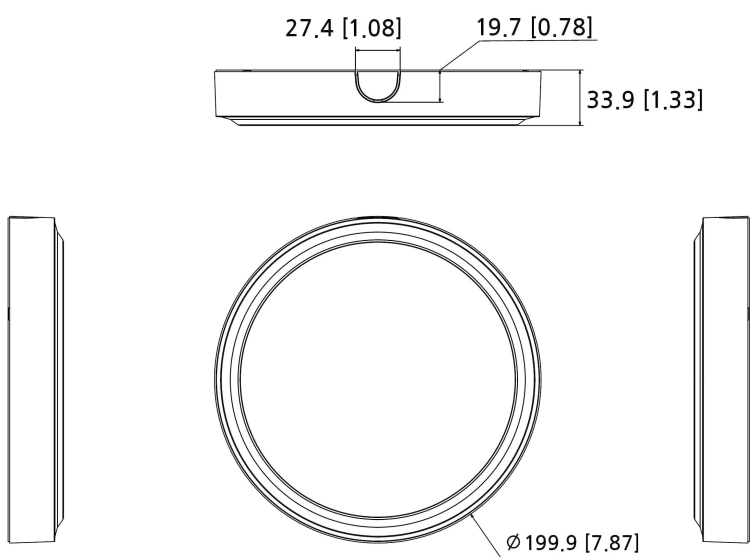
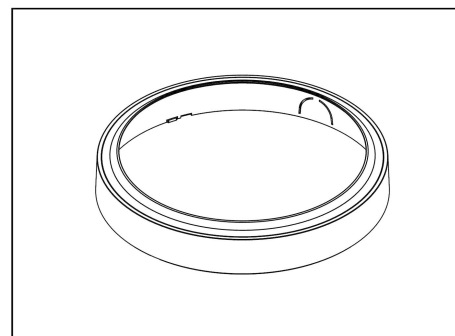


CAD

Unit:mm [inch]

SBC-200B Skin Cover

Reference image



Revision	V1.0
Revision Date	24/08/30
Paper Size	A1
Unit	mm [inch]
Scale	1:1

©Hanwha Vision Co., Ltd. All right reserved.