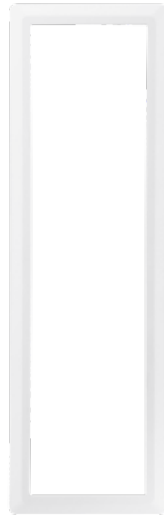


SBC-165W

White Skin



FC |  | CE | ENEC

Key Features

- Material : Poly Carbonate
- Dimensions : 54.9(W)x47.6(D)x170.9(H)mm(2.16x1.87x6.73")
- Weight: 45g(0.09lb)

Environmental

Operating Temperature / Humidity	-30°C~+55°C(-22°F~+131°F) / 0~100% RH
---	---------------------------------------

Storage Temperature / Humidity	-30°C~+55°C(-22°F~+131°F) / 0~100% RH
---------------------------------------	---------------------------------------

Mechanical

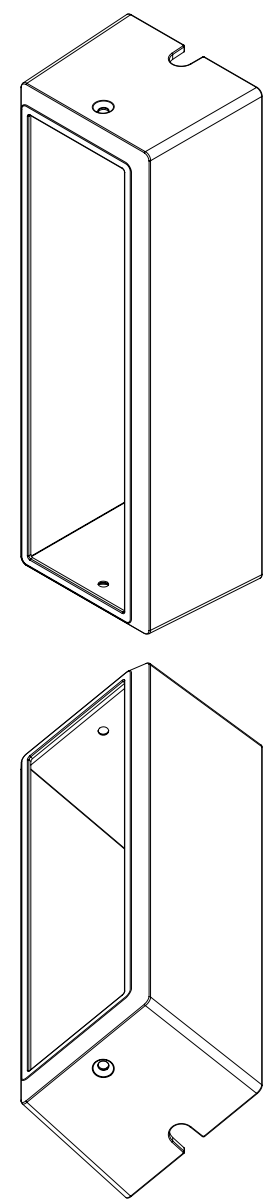
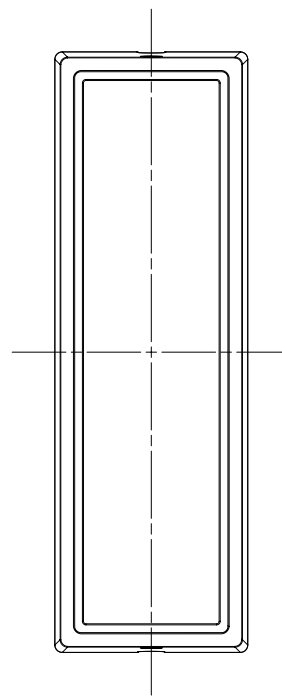
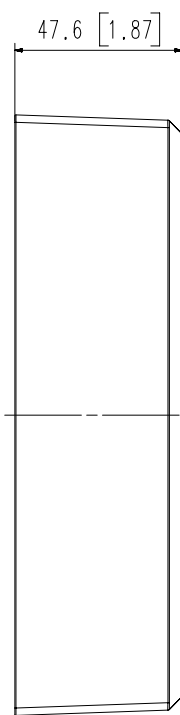
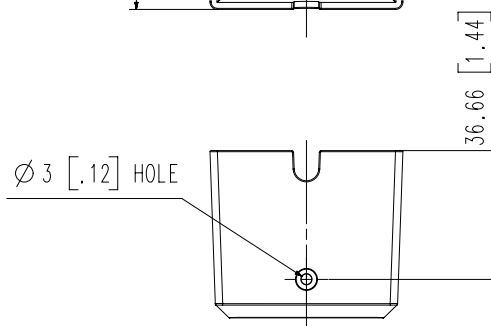
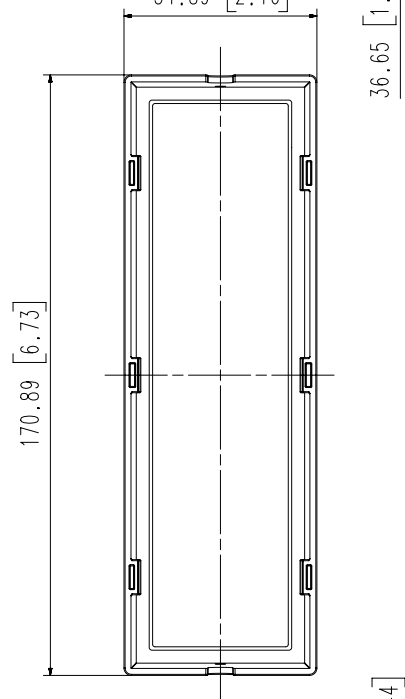
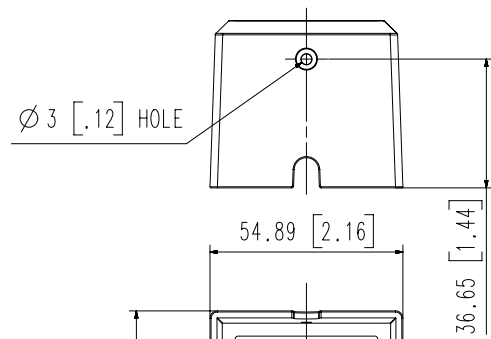
Color	White
--------------	-------

Material	Poly Carbonate
-----------------	----------------

Product dimensions / weight	54.9(W)x47.6(D)x170.9(H)mm(2.16x1.87x6.73"), 45g(0.09lb)
------------------------------------	--

Supported products	TID-600R
---------------------------	----------

- The latest product information / specification can be found at hanwha-security.com
- Design and specifications are subject to change without notice.
- Wisenet is the proprietary brand of Hanwha Techwin, formerly known as Samsung Techwin.



3	파생 MODEL2	
2	파생 MODEL1	
1	SBC-165W	21.08.06
No.	MODEL NAME	DATE
Unit:mm[inch] SCALE:1/1		Hanwha Techwin

A2

© Hanwha Techwin Co.,Ltd. All rights reserved.