



Network

Dome

XNV-8083Z

6MP AI Vandal Dome Camera



Key Features

- 6MP resolution
- 4.4-9.3mm (2.1x) motorized varifocal
- Color: 0.03Lux(F1.3, 1/30sec, 30IRE), BW - 0Lux(IR LED on)
- Maximum 30 fps (H.265/H.264)
- Day & Night (ICR), extremeWDR (120 dB)
- Hard-coated dome bubble
- WiseNR II (Based on AI engine), WiseStreamIII (Based on AI engine)
- Analytics events based on AI engine (NPU) : Object detection (Person/Face/Vehicle - car, truck, bus, bicycle, motorcycle/License plate), IVA (Virtual line/Area, Enter/Exit, Loitering, Direction, Intrusion)
- Analytics events : Defocus detection, Motion detection, Tampering, Fog detection, Audio detection, Sound classification, Shock detection, Appear/Disappear
- IP66/IP67/IP6K9K, NEMA4X, IK10+

XNV-8083Z

6MP AI Vandal Dome Camera



Specifications

Video

| | |
|--------------------------|--|
| Imaging Device | 1/1.8" progressive CMOS |
| Resolution | 3328x1872, 3072x1728, 2592x1944, 2688x1520, 1920x1080, 1600x1200, 1280x1024, 1280x960, 1280x720, 1024x768, 800x600, 800x448, 720x576, 720x480, 640x480, 640x360, 320x240 |
| Max. Framerate | H.265/H.264: Max. 30fps/25fps(60Hz/50Hz) MJPEG: Max. 15fps/12fps(60Hz/50Hz) |
| Min. Illumination | Color: 0.03Lux(F1.3, 1/30sec, 30IRE) BW: 0.003Lux(F1.3, 1/30sec, 30IRE) |

Lens

| | |
|----------------------------------|--|
| Focal Length (Zoom Ratio) | 4.4~9.3mm(2.1x) motorized varifocal |
| Max. Aperture Ratio | F1.3(Wide) ~ F2.15(Tele) |
| Angular Field of View | H: 113°(Wide)~47°(Tele) V: 58°(Wide)~26°(Tele) D: 138°(Wide)~54°(Tele) |
| Min. Object Distance | 0.5m(1.64ft) |
| Focus Control | Simple focus, Manual |
| Lens Type | P-iris(IR corrected) |

Pan / Tilt / Rotate

| | |
|----------------------------------|---|
| Pan / Tilt / Rotate Range | Remote adjustment(Max. 200cycles) 0°~350° / 0°~85° / 0°~340° |
|----------------------------------|---|

Operational

| | |
|------------------------------------|---|
| Camera Title | Displayed up to 85 characters |
| Day & Night | Auto(ICR) |
| Backlight Compensation | BLC, HLC, WDR, SSSDR |
| Wide Dynamic Range | extremeWDR (120dB) |
| Digital Noise Reduction | WiseNR II (Based on AI engine), SSNR V |
| Digital Image Stabilization | Support |
| Defog | Support |
| Motion Detection | 8ea, 8point Polygonal zones |
| Privacy Masking | 32ea, 4point Quadrangle zones - Color : Gray, Green, Red, Blue, Black, White - Mosaic |
| Gain Control | Off / Max Gain / Manual |
| White Balance | ATW / Narrow ATW / AWC / Manual / Indoor / Outdoor |
| LDC | Support (Fill/stretch mode) |
| Electronic Shutter Speed | Minimum / Maximum / Prefer / Anti flicker (2~1/12,000sec) Auto Prefer shutter control(Based on AI engine) |
| Video Rotation | Flip, Mirror, Hallway view(90°/270°) |
| Analytics | Classified object type : Person/Face/Vehicle/License plate Attributes : Vehicle(Type:car/bus/truck/motorcycle/bicycle) Support DetectionShot Analytics events based on AI engine - Object detection, Virtual line(Crossing/Direction), Virtual area(Loitering/Intrusion/Enter/Exit) Analytics events - Defocus detection, Motion detection, Tampering, Fog detection, Virtual area(Appear/Disappear) * Audio detection, Sound classification(with NW I/O box SPM-4210) |

| | |
|-----------------------|---|
| Alarm Triggers | Analytics, Network disconnect, App event, Time schedule * Alarm input(with NW I/O Box SPM-4210) |
| Alarm Events | When alarm trigger occurred - File upload(image) : e-mail/FTP - Notification : e-mail - Recording : SD/SDHC/SDXC or NAS recording at event triggers - Alarm output(with NW I/O box SPM-4210) - Handover(P TZ preset, Send message by HTTP/HTTPS/TCP) |

Network

| | |
|--|---|
| Ethernet | Metal shielded RJ-45(10/100/1000BASE-T) |
| Video Compression | H.265/H.264: Main/High, MJPEG |
| Smart Codec | Manual(5ea area), WiseStream II, WiseStreamIII(Based on AI engine) |
| Bitrate Control | H.264/H.265: CBR or VBR MJPEG: VBR |
| Streaming | Unicast(20 users) / Multicast Multiple streaming(Up to 10 profiles, 3 virtual channel support) |
| Protocol | IPv4, IPv6, TCP/IP, UDP/IP, RTP(UDP), RTP(TCP), RTCP,RTSP, NTP, HTTP, HTTPS, SSL/TLS, DHCP, FTP, SMTP, ICMP, IGMP, SNMPv1/v2c/v3(MIB-2), ARP, DNS, DDNS, QoS, UPnP, Bonjour, LLDP, SRTP (TCP, UDP Unicast) |
| Security | TPM 2.0 (FIPS 140-2 level 2) HTTPS(SSL) Login Authentication Digest Login Authentication IP Address Filtering User access log 802.1X Authentication(EAP-TLS, EAP-LEAP, EAP-PEAP MSCHAPV2) Device Certificate(Hanwha Techwin Root CA, pre-installed) Secure by default certificate Secure OS/Boot/Storage, Verify firmware forgery |
| Application Programming Interface | ONVIF Profile S/G/T/M SUNAPI(HTTP API) Wisenet open platform |

General

| | |
|-------------------------|--|
| Webpage Language | English, Korean, Chinese, French, Italian, Spanish, German, Japanese, Russian, Portuguese, Czech, Polish, Turkish, Dutch, Greek, Hungarian |
| Edge Storage | Micro SD/SDHC/SDXC 2slot Max. 1TB (512GB * 2) |
| Memory | 4GB RAM, 512MB Flash |

Environmental & Electrical

| | |
|---|--|
| Operating Temperature / Humidity | -50°C~+55°C(-58°F ~ +131°F) * Start up should be done at above -30°C 0~95%RH(non-condensing) Humidity control /w AIR vent |
| Storage Temperature / Humidity | -50°C ~ +60°C(-58°F ~ +140°F) / Less than 90% RH |
| Certification | IP66/IP67/IP6K9K, NEMA4X, IK10+ |
| Input Voltage | PoE+(IEEE802.3at type 2, Class4) |
| Power Consumption | PoE+: Max 17.0W, typical 12.1W |

Mechanical

| | |
|--|--|
| Color / Material | White / Aluminum Hard-coated dome bubble |
| RAL Code | RAL9003 |
| Product Dimensions / Weight | Ø180x135mm(7.09x5.31"), 2000g(4.41 lb) |
| Compatible Conduit hole / Gangbox | 19.1mm(3/4")(M25) single, double, 4" octagon, 4" square |
| Hanging Mount (Dome) | SBP-187HMW |

Certifications & Standards

| | |
|------------|--|
| EMC | EN 50121-4 FCC 47 CFR 15 Subpart B Class A ICES-3(A)/NMB-3(A) CE/UKCA - EN 55032 Class A, EN 50130-4, EN 61000-3-2, EN 61000-3-3 VCCI CISPR 32 Class A RCM AS/NZS CISPR 32 Class A KS C 9832 Class A, KS C 9835 |
|------------|--|

Safety UL 62368-1, CAN/CSA C22.2 NO. 62368-1

Environment EN IEC 63000
IEC 60529 IP66/IP67, ISO 20653 IP6K9K, IEC 62262 IK10+
NEMA 250 type 4X

DORI (EN62676-4 standard)

Detect (25PPM/ 8PPF) Wide: 44.1m(144.54ft) / Tele: 153.1m(502.22ft)

Observe (63PPM/ 19PPF) Wide: 17.6m(57.82ft) / Tele: 61.2m(200.89ft)

Recognize (125PPM/ 38PPF) Wide: 8.8m(28.91ft) / Tele: 30.6m(100.44ft)

Identify (250PPM/ 76PPF) Wide: 4.4m(14.45ft) / Tele: 15.3m(50.22t)

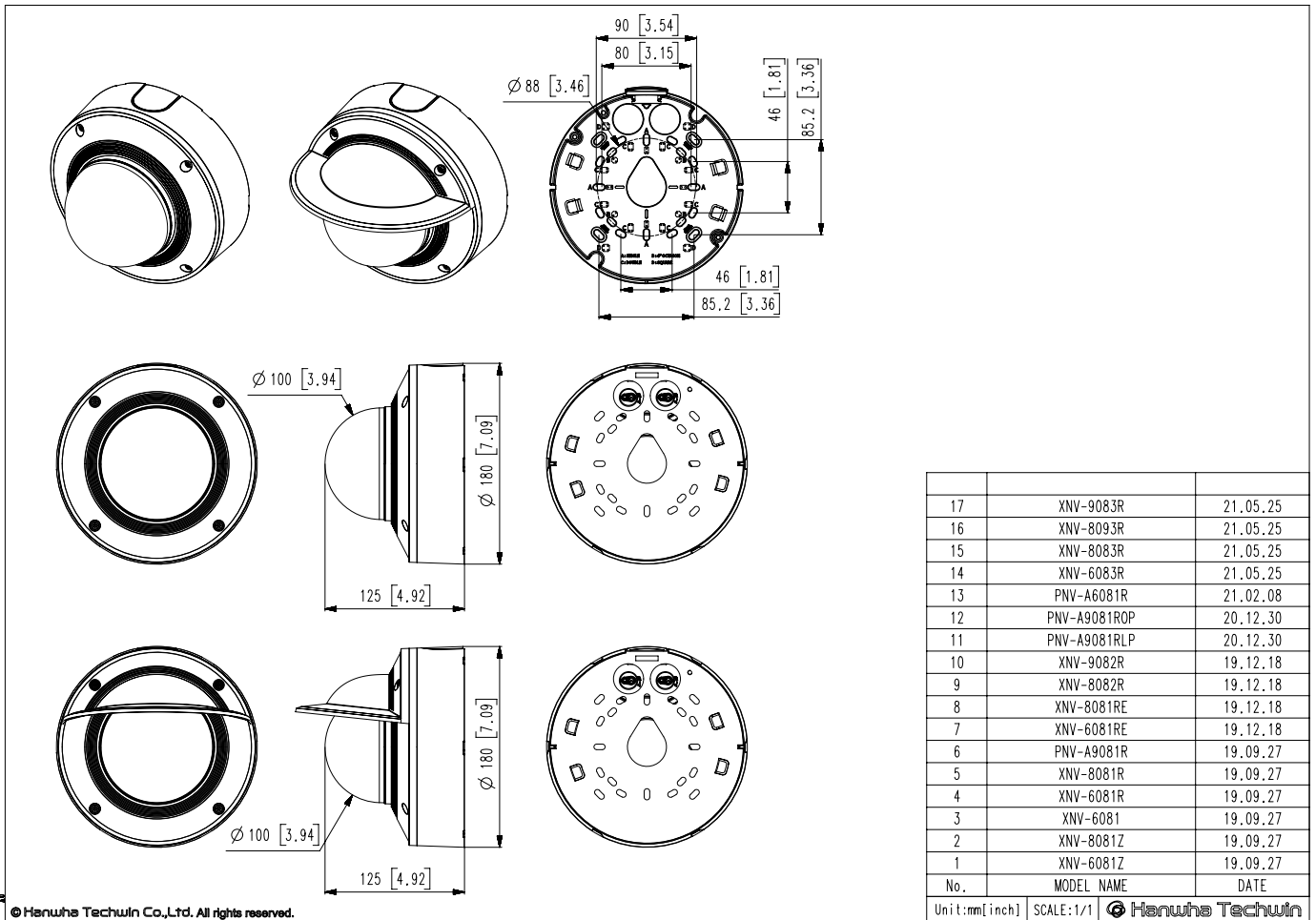
XNV-8083Z

6MP AI Vandal Dome Camera



CAD

Unit: mm [inch]



© Hanwha Techwin Co., Ltd. All rights reserved.