

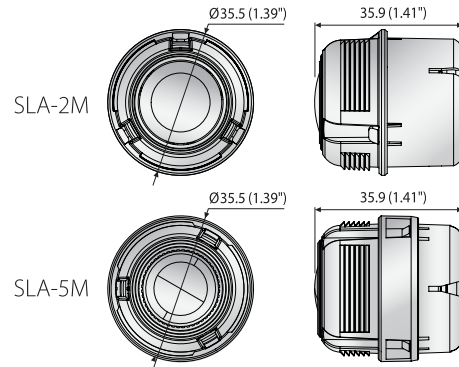
SLA-2M2400Q/2800Q/3600Q/6000Q SLA-5M3700Q/4600Q/7000Q

Exchangeable 2MP / 5MP lenses for PNM-9000VQ



Dimensions

Unit : mm (inch)



Key Features

- 0.055Lux@F2.0 Color, B/W (2MP lenses)
- 0.16Lux@F1.6 Color, B/W (5MP lenses)
- Selectable lens options :
 - 2.4 / 2.8 / 3.6 / 6.0mm fixed lens (2MP)
 - 3.7 / 4.6 / 7.0mm fixed lens (5MP)

	SLA-2M2400Q	SLA-2M2800Q	SLA-2M3600Q	SLA-2M6000Q
VIDEO				
Imaging Device	1 / 2.8" 2M CMOS	1 / 2.8" 2M CMOS	1 / 2.8" 2M CMOS	1 / 2.8" 2M CMOS
Total Pixels	1945 (H) x 1109 (V) 2.16M	1945 (H) x 1109 (V) 2.16M	1945 (H) x 1109 (V) 2.16M	1945 (H) x 1109 (V) 2.16M
Effective Pixels	1945 (H) x 1097 (V) 2.13M	1945 (H) x 1097 (V) 2.13M	1945 (H) x 1097 (V) 2.13M	1945 (H) x 1097 (V) 2.13M
Scanning System	Progressive scan	Progressive scan	Progressive scan	Progressive scan
Min. Illumination	Color : 0.055 Lux (F2.0, 1 / 30sec, 30IRE) B/W : 0.055 Lux (F2.0, 1 / 30sec, 30IRE)	Color : 0.055 Lux (F2.0, 1 / 30sec, 30IRE) B/W : 0.055 Lux (F2.0, 1 / 30sec, 30IRE)	Color : 0.055 Lux (F2.0, 1 / 30sec, 30IRE) B/W : 0.055 Lux (F2.0, 1 / 30sec, 30IRE)	Color : 0.055 Lux (F2.0, 1 / 30sec, 30IRE) B/W : 0.055 Lux (F2.0, 1 / 30sec, 30IRE)
S / N Ratio	50dB	50dB	50dB	50dB
Wide Dynamic Range	150dB	150dB	150dB	150dB
Day & Night	Electrical	Electrical	Electrical	Electrical
LENS				
Focal Length (Zoom Ratio)	2.4mm	2.8mm	3.6mm	6mm
Max. Aperture Ratio	F2.0	F2.0	F2.0	F2.0
Angular Field of View	H : 135.4°, V : 71.2°, D : 161.6°	H : 107.4°, V : 62.2°, D : 122.0°	H : 94.8°, V : 49.3°, D : 114.3°	H : 50.4°, V : 28.8°, D : 58.1°
Lens Type	Fixed focal	Fixed focal	Fixed focal	Fixed focal
Mount Type	M12 Lens module with main unit	M12 Lens module with main unit	M12 Lens module with main unit	M12 Lens module with main unit
PAN / TILT / ROTATE				
Pan / Tilt / Rotate Range	-90°~+90° / 62° / -180°~+180°	-90°~+90° / 40°~89° / -180°~+180°	-90°~+90° / 37°~89° / -180°~+180°	-90°~+90° / 30°~89° / -180°~+180°
MECHANICAL				
Color / Material	Black / Plastic	Black / Plastic	Black / Plastic	Black / Plastic
Dimension (W x H x D)	Ø 35.5 x 35.9 mm (Ø 1.39" x 1.41")	Ø 35.5 x 35.9 mm (Ø 1.39" x 1.41")	Ø 35.5 x 35.9 mm (Ø 1.39" x 1.41")	Ø 35.5 x 35.9 mm (Ø 1.39" x 1.41")
Weight	30g (0.07 lb)	30g (0.07 lb)	30g (0.07 lb)	30g (0.07 lb)

	SLA-5M3700Q	SLA-5M4600Q	SLA-5M7000Q
VIDEO			
Imaging Device	1 / 1.8" 5M CMOS	1 / 1.8" 5M CMOS	1 / 1.8" 5M CMOS
Total Pixels	3096 (H) x 2094 (V)	3096 (H) x 2094 (V)	3096 (H) x 2094 (V)
Effective Pixels	2616 (H) x 1976 (V)	2616 (H) x 1976 (V)	2616 (H) x 1976 (V)
Scanning System	Progressive scan	Progressive scan	Progressive scan
Min. Illumination	Color : 0.055 Lux (F2.0, 1 / 30sec, 30IRE) B/W : 0.055 Lux (F2.0, 1 / 30sec, 30IRE)	Color : 0.16 Lux (F1.6, 1 / 30sec, 30IRE) B/W : 0.16 Lux (F1.6, 1 / 30sec, 30IRE)	Color : 0.16 Lux (F1.6, 1 / 30sec, 30IRE) B/W : 0.16 Lux (F1.6, 1 / 30sec, 30IRE)
S / N Ratio	50dB	50dB	50dB
Wide Dynamic Range	120dB	120dB	120dB
Day & Night	Electrical	Electrical	Electrical
LENS			
Focal Length (Zoom Ratio)	3.7mm	4.6mm	7mm
Max. Aperture Ratio	F1.6	F1.6	F1.6
Angular Field of View	H : 97.5°, V : 71.9°, D : 126.2°	H : 77.9°, V : 57.9°, D : 98.7°	H : 50.7°, V : 37.8°, D : 63.8°
Lens Type	Fixed focal	Fixed focal	Fixed focal
Mount Type	M12 Lens module with main unit	M12 Lens module with main unit	M12 Lens module with main unit
PAN / TILT / ROTATE			
Pan / Tilt / Rotate Range	-90°~+90° / 59°~66° / -180°~+180°	-90°~+90° / 50°~80° / -180°~+180°	-90°~+90° / 40°~89° / -180°~+180°
MECHANICAL			
Color / Material	Black / Plastic	Black / Plastic	Black / Plastic
Dimension (W x H x D)	Ø 35.5 x 35.9 mm (Ø 1.39" x 1.41")	Ø 35.5 x 35.9 mm (Ø 1.39" x 1.41")	Ø 35.5 x 35.9 mm (Ø 1.39" x 1.41")
Weight	35g (0.08 lb)	35g (0.08 lb)	35g (0.08 lb)