



RUA

One-sectioned welded cabinet with removable side panels.
IP20, capacity 45 kg / with reinforcements 90 kg



■ Rigid construction

The cabinet has a robust welded construction. High quality workmanship and the latest technology ensure excellent design of the cabinet and the permissible load of 45kg.



■ Flexible door opening

The own hinge system allows the door to be opened at an angle of 165°. The door can be easily removed. By rotating whole cabinet you change the direction of door opening.



■ Door lock

It enables an easy and quick access into the cabinet.

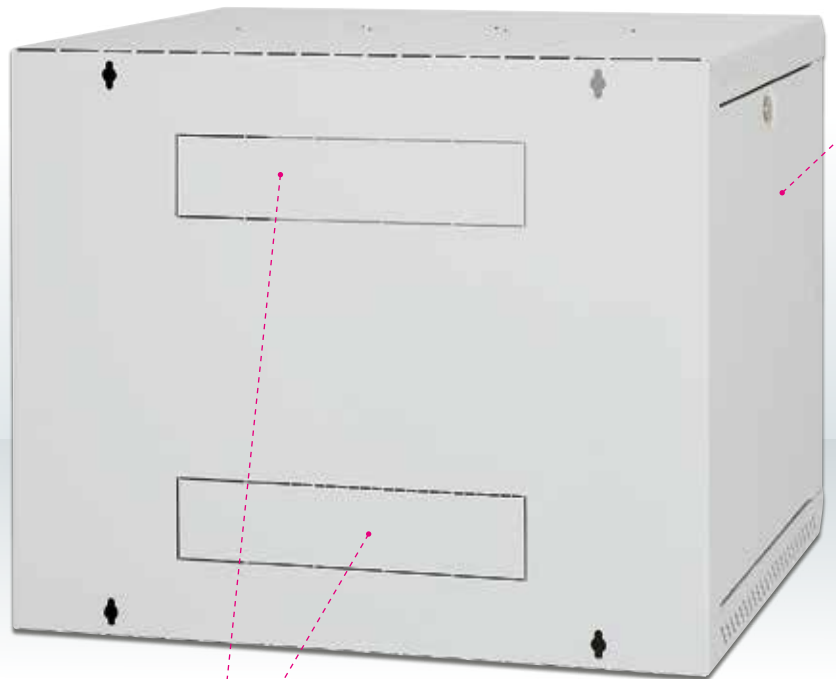


■ Adjustable vertical rails

Two pairs of vertical 19" rails are freely adjustable in any depth of the cabinet. This simplifies mounting of devices and organisation of patch cables.

■ Reinforcements

Reinforcement kit (optional accessory) increases load capacity to 90kg. It is necessary to choose the version of the set with regard to the height and depth of the cabinet.



■ Breakout-type blanking panels

Cable openings covered with breakout-type blanking panels are ready in the top, bottom and rear part of the cabinet. In the supply, there is a fringe edge and a brush to seal the cabinet opening against dust penetration.

RUA (DELTA U AS4)										
Type	A	B	C	D	E	R1	R2	Weight gross (kg)	Weight net (kg)	Maximum recommended load (kg)
	(mm)									
RUA-06-AS4-CAX-A1	370	265	530	600	395	324	420	14,5	14,2	45
RUA-09-AS4-CAX-A1	500	395	530	600	395	454	420	17,6	17,3	45 (with reinforcements – 90 kg)
RUA-12-AS4-CAX-A1	635	530	530	600	395	589	420	20,6	20,3	
RUA-15-AS4-CAX-A1	770	665	530	600	395	724	420	22,3	22,0	
RUA-18-AS4-CAX-A1	900	795	530	600	395	854	420	26,9	26,6	

RUA (DELTA U AS5)										
Type	A	B	C	D	E	R1	R2	Weight gross (kg)	Weight net (kg)	Maximum recommended load (kg)
	(mm)									
RUA-06-AS5-CAX-A1	370	265	530	600	495	324	420	16,4	16,1	45
RUA-09-AS5-CAX-A1	500	395	530	600	495	454	420	19,8	19,5	45 (with reinforcements – 90 kg)
RUA-12-AS5-CAX-A1	635	530	530	600	495	589	420	22,0	21,7	
RUA-15-AS5-CAX-A1	770	665	530	600	495	724	420	26,3	26,0	
RUA-18-AS5-CAX-A1	900	795	530	600	495	854	420	29,5	29,1	

RUA (DELTA U AS6)										
Type	A	B	C	D	E	R1	R2	Weight gross (kg)	Weight net (kg)	Maximum recommended load (kg)
	(mm)									
RUA-06-AS6-CAX-A1	370	265	530	600	595	324	420	19,2	18,9	45
RUA-09-AS6-CAX-A1	500	395	530	600	595	454	420	21,6	21,3	45 (with reinforcements – 90 kg)
RUA-12-AS6-CAX-A1	635	530	530	600	595	589	420	26,3	26,0	
RUA-15-AS6-CAX-A1	770	665	530	600	595	724	420	28,9	28,5	
RUA-18-AS6-CAX-A1	900	795	530	600	595	854	420	31,5	31,0	

Removable side panels

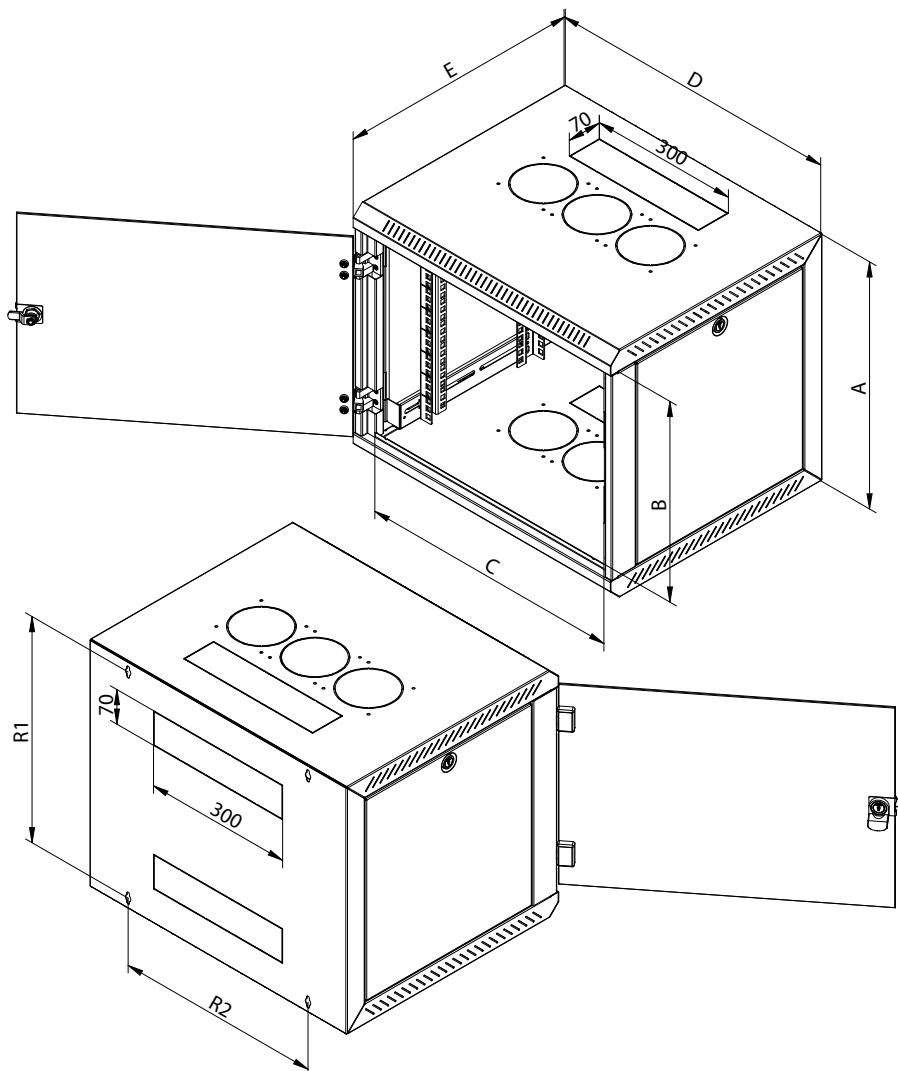
Removable side panels enable easy access to installed equipment from the side. They are fixed to the skeleton by locks, in the standard version with the same the same key as the front door lock.



Ventilation

The RUA has 6 break-out blanking panels for the installation of ventilation units RAC-CH-X2x-X1 or fans

RAX-CH-X07-X9 (up to 3 in top and 3 in bottom part of the cabinet). The RUA cabinet now allows the installation of equipment that previously could not be cooled enough in wall-mounted cabinets and had to be installed in free-standing cabinets.



Wall-mounted cabinet RUA

One-sectioned welded cabinet with removable side panels, IP20, capacity 45 kg / with reinforcements 90kg.

PRODUCT DETAILS

Rigid construction

The cabinet has a robust welded construction. High quality workmanship and the latest technology ensure excellent design of the cabinet and the permissible load of 45kg, with reinforcements 90kg.

Doors

The cabinet doors are fully glass as standard, but can also be solid metal or perforated on request.

Flexible door opening

The own hinge system allows the door to be opened at an angle of 165°. The door can be easily removed.

Locks

Allows easy and quick access to the cabinet. In the standard version, the door lock and the side panels have the same key.

Adjustable vertical rails

Two pairs of 19" vertical rails can be adjusted freely in any depth of the cabinet. This simplifies mounting of the device and configuration of cables.

Break-out blanking panels

In the upper, lower and rear part of the cabinet there are cable entrances covered with break-out blanking panels. The cables can be sealed against dust penetration with a brush (included in the cabinet supply).

Removable side panels

Removable side panels enable easy access to installed equipment from the side. They are fixed to the skeleton by locks, in the standard version with the same the same key as the front door lock.

Ventilation

The RUA has 6 break-out blanking panels for the installation of ventilation units RAC-CH-X2x-X1 or fans RAX-CH-X07-X9 (up to 3 in top and 3 in bottom part of the cabinet). The RUA cabinet now allows the installation of equipment that previously could not be cooled enough in wall-mounted cabinets and had to be installed in free-standing cabinets.

DESCRIPTION, PURPOSE OF USE

- 19" one-sectioned wall-mounted cabinet with IP20 protection.
- Removable side panels fixed by locks.
- Cabinet is to be hanged right on the wall.
- Cabinet includes four sliding vertical rails.
- Cabinet construction:
 - welded cabinet with removable side panels,
 - Safety hardened fully glass door, thickness 4 mm. May be solid metal or perforated on request.
- Max. permissible load of the door is 10 kg.
- Min. thickness of the surface finish is 65 µm.
- Cabinets are intended for installation of data and telecommunication devices and their distribution systems.
- The frame of the cabinet and all the removable parts (side and rear covers, doors...) are bonded with flexible cables that have to be properly fixed and inserted into connectors throughout the period of use of the cabinet.
- There is one M8 screw placed on the bottom part of the cabinet as a central earthing point.
- Cable entries covered with break-out blanking panels are placed in the top and the bottom part of the cabinet rear side, others are in the top and the bottom side of cabinet.
- Cabinet has openings for the fan unit installation in the bottom and top of the cabinet, covered by break-out blanking panels.

ADDITIONAL INFORMATION

Operating conditions

- Operating environment:
 - the indoor environment,
 - the cabinet is not intended for outdoor installations and for installations in environment that can negatively influence the functionality of the cabinet and/or the mounted devices (e.g. environment with danger of explosion or humid and wet surroundings).
- Must be protected against:
 - mechanical damage,
 - improper handling,
 - a different usage than the cabinet is intended for.

- Improper handling is especially:
 - overloading (exceeding the maximum recommended load capacity),
 - installation of equipment that adversely affects the operation and function of the cabinet or installed equipment,
 - change of the construction or design of the cabinet.

Installation of the cabinet

This type of cabinet is to be hanged directly on the wall using screws, wall plugs and washers (included). The spacing of the mounting holes is marked with "R" on the cabinet scheme. To secure the maximum recommended load capacity, it is necessary that the cabinet is mounted on a wall of adequate load capacity (brick, concrete or similar) and that the installed load is evenly distributed in the cabinet. If the cables are routed through one of the cable entries, it can be sealed against dust penetration with a brush and protected with a fringe edge (both included in the cabinet supply).

Environmental protection

All parts are made of recyclable materials and after decommissioning the cabinet, it must be disposed of according to relevant regulations.

Certificate and conformity

This product is certified with TÜV SÜD Czech and fully in accordance with ČSN EN 62208 ed.2:2012(EN 62208:2011). Latest certificate is available at www.triton-racks.com/certificates.