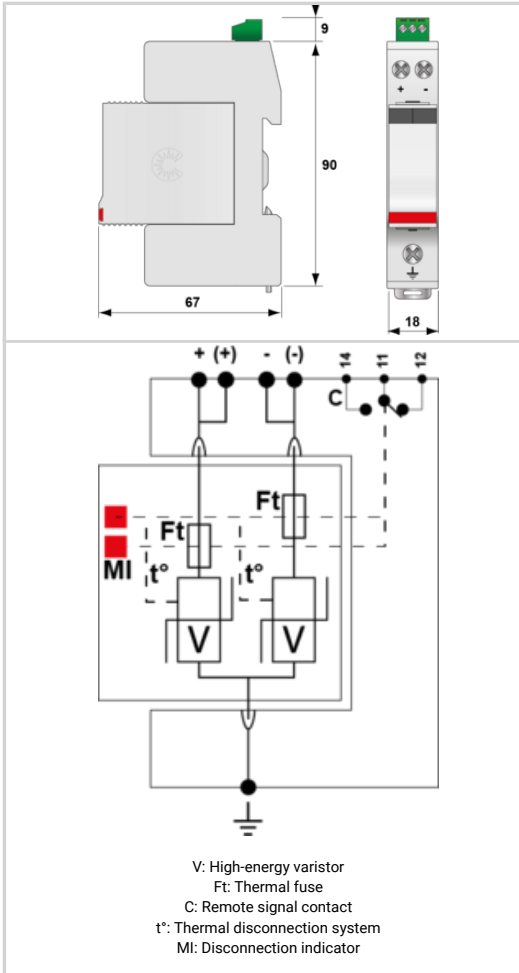




- ↳ DC power surge protector
- 12Vdc
- I_{max}:20kA
- Pluggable module
- Remote signaling
- Very low Up protection level



Electrical Characteristics	
Network	DC or PV network 12Vdc
Max. DC operating voltage	U _c 24 Vdc
Max. load current @25°C	IL 50 A
Total Maximum discharge current <i>max. total withstand @ 8/20 μs</i>	I _{max} Total 40 kA
Protection mode(s)	Common mode
POWER SPD TYPE	UL1449 5th Ed. TYPE 4CA
VOLTS	(V) 12
AC/DC/DC PV/RF	DC
PHASE	(PH) -
AMPS	(A) N/A
AMBIENT MIN	(C) -40
AMBIENT MAX	(C) +85
MODES	DC+DC-DC+G,DC-G
MLV DC	(V) 590/510/510
MCOV	(V) 24/24/24
IN <i>15 impulses 8/20μs</i>	(kA) 10
SCCR	(kA) n/a
IMAX <i>8/20μs</i>	(kA) 20
Mechanical Characteristics	
Technology	MOV
Connection to Network	By screw terminals: 1.5-10mm ² (actives wires) and 2.5-25mm ² (ground)
Format	Plug-in modular box
Failsafe mode	Disconnection from DC network
Weight	0.111 kg
TECHNOLOGY	MOV
NETWORK CONFIGURATION	2W+G
CONNECTION METHOD	SPD-Screw Terminal (8-12AWG), Terminal blocks 6AWG
MOUNTING	DIN RAIL
MATERIAL	Thermoplastic UL94-V0
NEMA RATING (IP RATING)	NEMA 2 (IP20)
FAIL-SAFE BEHAVIOR	Disconnection via fuse-link
REAL-TIME DIAGNOSTICS	Visual indicator and remote contacts
DIMENSIONS	See diagram
WEIGHT	0.30 lbs
SPARE PART	DSM220-12DC
Standards	
Certification	UL Recognized
UL STANDARD	UL1449 5th Edition
UL CATEGORY	VZCA2, VZCA8
UL FILE NUMBER	E326289
STANDARDS	IEC 61643-11, NOM-003-SCFI-2014, NOM-001-SCFI-1993
ENVIRONMENTAL STANDARDS	ROHS
Part number	
390111	

