

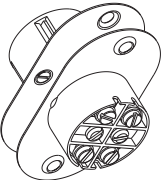
This product is designed to meet the requirements of EN50131-2:6-2008 Security grade 1, environmental class II

QCR MAXIMAL

FCS09/MT/2 Magnetic Flush Contact.

Flush mounted magnetic contact.
Double Pole configuration
Twin Reed for versatility and security
6 Terminals
Suitable for domestic and commercial alarm circuits.
Metal and high impact polymer construction.

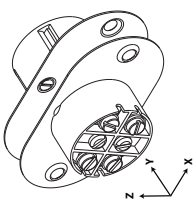
Operating and Installation Instructions



Description

This flush mounted magnetic door contact can be used in grade 1 security systems as specified in EN50131-1:2006 and is compliant to EN50131-2:62008 and environmental class II (for use indoors). It operates as a normally open circuit going closed in the presence of the magnet. A second reed is present for added versatility and security. This contact can be used on most doors to detect the unauthorised entry of an intruder.

QCR Security, 125, Pavilion Road, Newton, Wirral, CH46 4TH, United Kingdom
Tel: +44 (0) 151 668 9393 Support: +44 (0) 151 668 0311 email: info@qcr.co.uk Web: http://www.qcr.co.uk
FC 999 Issue 01



Approximate Operating Distances (mm)

Axis	Min. Close	Max. Open
X	15mm	20mm
Y	20mm	30mm
Z	30mm	50mm

Mounting on a recessed face will reduce these figures, dependent on the material and thickness.

Switch	Specifications
Material	Palladium
Contact Material	High Impact Polyethylene Beads
Contact Rating	1A @ 170Vdc
Contact Dimension	25.5mm dia x 13mm
Max. Close	15mm
Max. Open	30mm
Temperature Range	-15°C to +40°C
Life Expectancy	>1,000,000 cycles

Environmental Advice
This product is covered by current WEEE regulations. Please consider the effect on the environment when disposing of it. Do not put in a domestic waste bin. Only dispose of in an approved recycling centre.

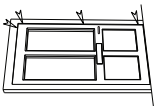
RoHS Compliant.

Features

Magnet Housing
2 x spare connections are coloured yellow

Switch Housing
4 x switch connections are coloured silver

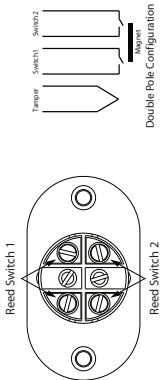
Suitable Applications and Fixing Points
Recommended Fixing Points:
Residential and Commercial Doors



Mounting Instructions

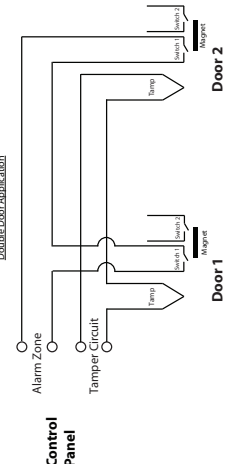
To install the contact housing, drill a 26mm hole into the door frame to a minimum depth of 15mm on the opening side of the door. If the face plate is required to be flush, mark around the plate and chisel out the wood to the required depth to allow the face plate to be flush with the door. The hole must be drilled every 90 degrees.
Terminate the wires to requirements. Insert the unit into the prepared hole and secure with the screws provided. To fit the magnet, carefully mark the position on the door from the already fitted contact to ensure that the centre of the magnet is aligned with the centre of the contact. Drill a 26mm hole to a minimum depth of 17mm into the door, again chisel out the wood if flush fitting with the surface is required. Place the magnet casing into the hole and secure it using the screws provided. Please note that the plates on both parts must be lined up.

Wiring Configurations



To install this contact, connect the alarm zone from the control panel to two of the four silver coloured screws, these connect to the switch. Additionally the second two silver coloured screws can be wired as backup or may be wired to operate another circuit such as CCTV etc. The two tamper circuit wires from the control panel should be joined together using one of the two remaining yellow colour screws.

Control Panel



Double Door Application

To install these door contacts in a double door situation, wire the alarm and tamper circuits in series.