



HCB-7000PHA

Benefits

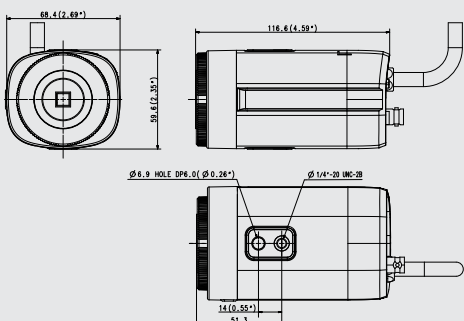
- Superior Image clarity with QHD resolution
- Compatible with HD and SD systems for Easy Plug&Play installation, saving time and money
- Clearer images with Wide Dynamic Range (DWDR) and Noise reduction features
- Extended Video transmission of up to 500m without any delays
- Universal mode analogue inputs (AHD/CVBS)

Key Features

- Max. 4MP resolution
- 0.16 Lux@F1.2 (Color), 0.009 Lux@F1.2 (B/W)
- Day & Night (ICR), Motion detection
- Transmission distance Max. 500m
- Easy installation (Plug & play)

Dimensions

Unit:mm(inch)



HCB-7000PHA

VIDEO

Imaging Device	1/3" 4MP CMOS
Effective Pixels	2688(H)×1520(V)
Min. Illumination	Colour: 0.16Lux(F1.2, 1/30sec) BW: 0.009Lux(F1.2, 1/30sec)
Video Out	BNC(AHD), additional CVBS for installation

LENS

Focus Control	Manual
Lens Type	DC auto iris
Mount Type	C mount, CS mount

OPERATIONAL

Day & Night	Auto(ICR)
Backlight Compensation	UserBLC, HLC, DWDR
Digital Noise Reduction	2DDNR
Motion Detection	4 zones
Privacy Masking	2 zones
Gain Control	Low / Middle / High / Very High
White Balance	ATW / AWC / Manual / Indoor / Outdoor
Electronic Shutter Speed	1/30 ~ 1/12,000sec(N), 1/25 ~ 1/12,000sec(P)
Video Rotation	H-Rev/V-Rev
Analytics	Motion detection
Serial Interface	RS-485(Samsung-T, Pelco-D/P)
Alarm I/O	MD Output 1ea
Coaxial Protocol	ACP(AHD Coax Protocol), CVBS: Pelco-C(Coaxitron)
Video Transmission Distance	500m(5C2V Coaxial Cable)

NETWORK

Resolution	2560x1440
Max. Framerate	25fps@4M(P)

ENVIRONMENTAL

Operating Temperature / Humidity	-10°C ~ +55°C (+14°F ~ +131°F) / Less than 90% RH
----------------------------------	---

ELECTRICAL

Input Voltage	AC230V
Power Consumption	Max 4.5W

MECHANICAL

Color / Material	Black / Aluminum, Ivory / Plastic
Product dimensions / weight	59.6(W)×68.4(H)×116.6(D)mm (2.35"×2.69"×4.59"), 398g(0.88 lb)