

TNM-3620TDY

Temperature detection thermal camera



Key Features

- Bi-spectrum : QVGA thermal & 2MP visible sensor
- Built-in 4.7mm fixed lens (thermal), 4mm fixed lens (visible)
- Two temperature detection modes
 - Estimated Body Temperature Mode
 - : 30~45°C (86~113°F) / ±0.5°C (±0.3°C with blackbody)
 - Normal Radiometric mode
 - : -20~130°C (-4~266°F) / ±5°C(≤100°C), ±20%(>100°C)
- AI based face and temperature detection analytics
- Micro SD/SDHC/SDXC memory 1slot (Max. 256GB)
- PoE+(IEEE802.3at), 12VDC

Accessories (Optional)

* This blackbody is made by SBIR, <http://www.sbir.com>



SPI-35B

Video	Thermal	Visible
Imaging Device	Uncooled micro bolometer (320x240)	1/2.8" 2MP CMOS
Resolution	1280x960, 640x480, 320x240	1920x1080, 1280x1024, 1280x960, 1280x720, 1024x768, 800x600, 800x448, 720x576, 720x480, 640x480, 640x360, 320x240
Max. Framerate	H.265/H.264: Max. 30fps/25fps(60Hz/50Hz) MJPEG: Max. 30fps/25fps(60Hz/50Hz)	
NETD	<60mK	None
Pixel Size	12 μ m	None
Min. Illumination	None	Color: 0.05 lux(F1.6, 1/30sec) B/W: 0.005 lux(F1.6, 1/30sec)
Video Out	CVBS: 1.0 Vp-p / 75 Ω composite, 720x480(N), 720x576(P) for installation USB : Micro USB Type B, 1280x720 for installation	

Lens

Focal Length (Zoom Ratio)	4.7mm fixed focal	4mm fixed focal
Max. Aperture Ratio	F1.0	F1.6
Angular Field of View	H: 50.0 ° , V: 36.4 ° , D: 65.3 °	H: 87.6, V: 46.4 ° , D: 104.5 °
Min. Object Distance	1m(3.28ft)	None
Focus Control	Fixed	

Operational

Camera Title	Displayed up to 85 characters	
Day & Night	None	Auto(ICR)
Backlight Compensation	None	BLC, WDR, SDDR
Wide Dynamic Range	None	extremeWDR(150dB)
Digital Noise Reduction	None	SSNR V
Digital Image Stabilization	Support (built-in gyro sensor)	
Motion Detection	8ea, 8point polygonal zones	
Privacy Masking	32ea, polygonal zones - Color: Grey/Green/Red/Blue/Black/White - Mosaic	
Gain Control	None	Low / Middle / High
White Balance	None	ATW / AWC / Manual / Indoor / Outdoor
LDC	None	Support
Electronic Shutter Speed	None	Minimum / Maximum / Anti flicker(2~1/12,000sec)
Video Rotation	Flip, Mirror	

Analytics	EBT mode : Temperature detection, Blackbody error Normal mode : Directional detection, Motion detection, Enter/Exit, Tampering, Virtual line, Audio detection, Temperature detection *EBT : Estimated Body Temperature	
Alarm I/O	Input 1ea / Output 2ea	
Alarm Triggers	Analytics, Network disconnect, Alarm input	
Alarm Events	File upload via FTP and e-mail Notification via e-mail SD/SDHC/SDXC or NAS recording at event triggers Alarm output Handover (normal mode only) Audio playback Beep alarm (EBT mode only)	
Audio In	Selectable(mic in/line in) Supply voltage: 2.5VDC(4mA), Input impedance: 2K Ohm	
Audio Out	Line out, Max.output level: 1Vrms	
Color Palettes	EBT Mode (thermal face detection) : Whitehot EBT (visible face detection) & Normal mode : Whitehot, Blackhot, Rainbow, Rainbow2, Sepia, Red, Iron, Custom	None

Radiometry

Temperature Detect Range	Estimated body temperature mode : 30~45°C(86°F~113°F) Normal mode : -20~+130°C(-4 ° F~+266 ° F)	None
Temperature Accuracy	Estimated body temperature mode : ± 0.5 ° C (± 0.3 ° C with Blackbody) Normal mode : ± 5 ° C (≤ 100 ° C), ± 20% (> 100 ° C)	None
Temperature Detection	3ea rectangular (normal mode)	None
Additional	Hybrid palettes (normal mode), Spot temperature reading (normal mode)	None

Network

Ethernet	Metal shielded RJ-45(10/100BASE-T), RJ-45(10/100BASE-T)	
Video Compression	H.265/H.264: Main/Baseline/High, MJPEG	
Audio Compression	G.711 u-law /G.726 Selectable G.726(ADPCM) 8KHz, G.711 8KHz G.726: 16Kbps, 24Kbps, 32Kbps, 40Kbps AAC-LC: 48Kbps at 16KHz	
Smart Codec	WiseStream II	Manual(5ea area), WiseStream II
Bitrate Control	H.264/H.265: CBR or VBR MJPEG: VBR	
Streaming	Unicast(20 users) / Multicast Multiple streaming(Up to 6 profiles)	

Protocol	IPv4, IPv6, TCP/IP, UDP/IP, RTP(UDP), RTP(TCP), RTCP, RTSP, NTP, HTTP, HTTPS, SSL/TLS, DHCP, FTP, SMTP, ICMP, IGMP, SNMPv1/v2c/v3(MIB-2), ARP, DNS, DDNS, QoS, PIM-SM, UPnP, Bonjour, LLDP
Security	HTTPS(SSL) login authentication Digest login authentication IP address filtering User access log 802.1X authentication(EAP-TLS, EAP-LEAP) Device certificate(Hanwha Techwin Root CA)
Application Programming Interface	ONVIF Profile S/T SUNAPI(HTTP API)

General

Webpage Language	English, Korean, Chinese, French, Italian, Spanish, German, Japanese, Russian, Swedish, Portuguese, Czech, Polish, Turkish, Dutch, Hungarian, Greek
Edge Storage	Micro SD/SDHC/SDXC 1slot 256GB
Memory	4608MB RAM, 512MB Flash

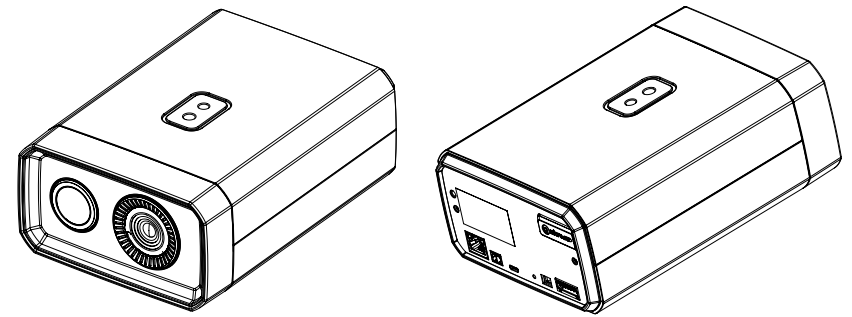
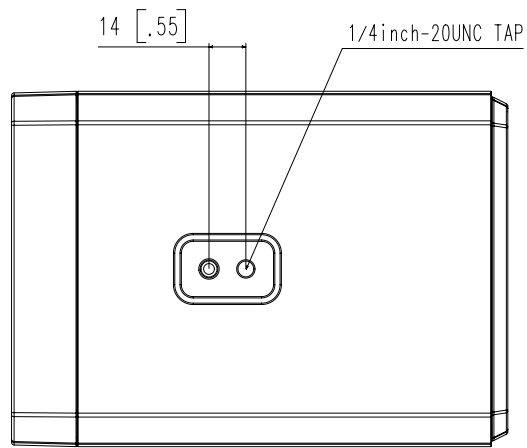
Environmental & Electrical

Operating Temperature / Humidity	EBT mode : +10°C~+35°C(+50°F~+95°F) / Less than 95% RH Normal mode : -10°C~+55°C(+14°F~+131°F) / Less than 95% RH
Storage Temperature / Humidity	-30°C~+60°C(-22°F~+140°F) / Less than 95% RH
Input Voltage	PoE+(IEEE802.3at, Class4), 12VDC
Power Consumption	PoE+: Max. 17.0W, typical 12.5W 12VDC: Max. 14.5W, typical 11.0W

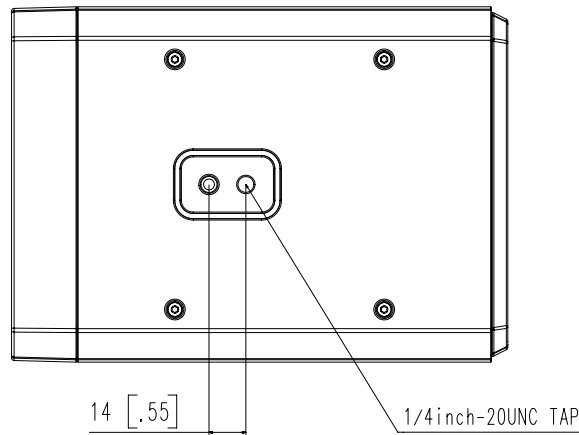
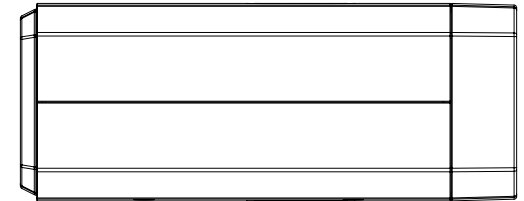
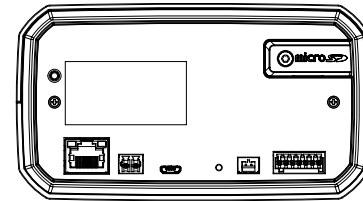
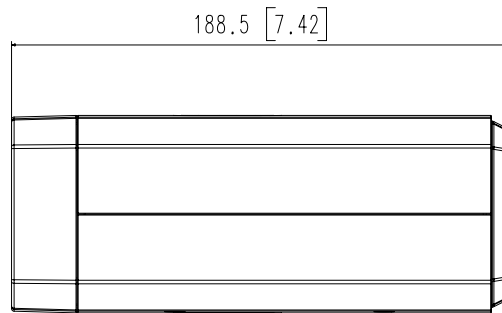
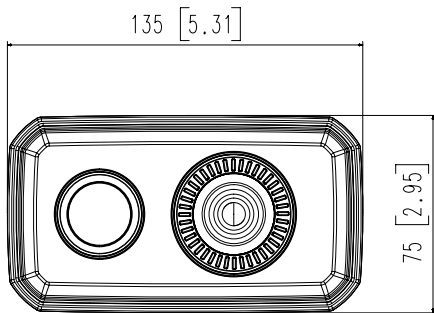
Mechanical

Color / Material	White / Aluminum
RAL Code	RAL9003
Product Dimensions / Weight	135(W)x75(H)x188.5(D)mm, (5.31x2.95x7.42"), 1.7kg(3.77lb)

- The latest product information / specification can be found at hanwha-security.com
- Design and specifications are subject to change without notice.
- Wisenet is the proprietary brand of Hanwha Techwin, formerly known as Samsung Techwin.



[ISO VIEW SCALE 1:1]



3	파생 MODEL2	
2	파생 MODEL1	
1	BASIC MODEL	'20.08.20
No.	MODEL NAME	TNM-3620TDY
Unit:mm[inch]		SCALE:3/2
Hanwha Techwin		

© Hanwha Techwin Co.,Ltd. All rights reserved.