

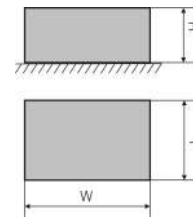
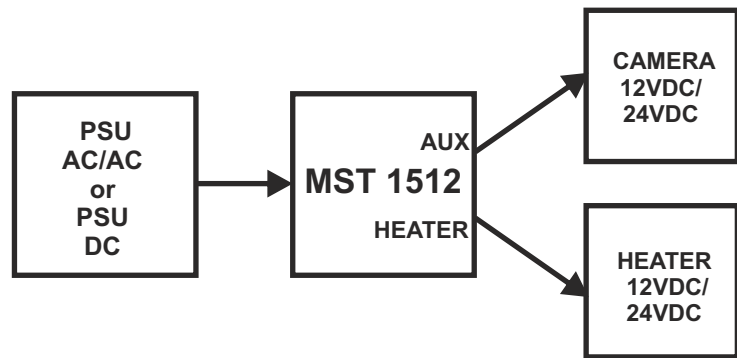
12V/24V/DC power supply modules

for mounting in CCTV enclosures



CODE: **MST 1512** v.1.1/III
TYPE: **MST 12V/1,5A-24V/1A/M power supply module for CCTV**

EN



Features:

- output voltage 12VDC/1,5A or 24VDC/1A jumper selectable
- supply voltage 16÷30VAC or 22÷42VDC
- high efficiency: 90% max
- mounting in a CCTV camera enclosure
- thermostat-operated heater
- switchable heater's power
- LED indication
- protections:
 - SCP short-circuit protection
 - OLP overload protection
 - surge protection
- warranty – 5 year from the production date

DESCRIPTION

The MST1512 PSU module is intended for supplying devices that require voltage of 12V or 24V DC. The module is designed as a supplying component in CCTV systems. It is intended for camcorders mounted in external enclosures, series: GL606, THxx, TSHxx and others that fit the A-A mounting holes and the dimensions.

The module has two outputs to deliver voltages:

12VDC/1,5A max. or 24VDC/1A supplying the CCTV camera
12V-24V AC/DC for supplying the enclosure's heater

(the heater's circuit is automatically switched on by a bi-metallic thermostat: $t_{on}=15^{\circ}\text{C}$, $t_{off}=25^{\circ}\text{C}$ (+/- 4°C).

12V/24V/DC power supply modules



for mounting in CCTV enclosures

Specifications	
Supply voltage	16V÷30V/AC or 22V÷42V/DC for AUX=12VDC 24V÷30V/AC or 33V÷42V/DC for AUX=24VDC
Current consumption	1.9A@16V/AC–1A@30V/AC max. for AUX=12V/1,5A 1.6A@24V/AC–1.3A@30V/AC max. for AUX=24V/1A
PSU power	18W max. for AUX=12VDC 24W max. for AUX=24VDC
Efficiency	86% max(AUX=12VDC), 90% max (AUX=24VDC)
Output voltage	12V DC or 24V DC, jumper selectable
Output current	1,5A – voltage AUX=12V 1A - voltage AUX=24V
Ripple voltage	50mV p-p max.
Short-circuit protection SCP	AUX: 200% ÷ 300% of the module's power - current limiting, automatic return HEATER: T 1A fuse, damage requires fuse-element replacement
Overload protection OLP	AUX: F 2A fuse, damage requires fuse-element replacement HEATER: T 1A fuse, damage requires fuse-element replacement
Heater's circuit specifications:	
-output voltage	U=Uac (J-HEATHER jumper on)
-output current	U=Uac *0,55 (J-HEATHER jumper off)
- on/off temperature of the HEATER output (thermostat)	(for AC supply voltage) 1A max. ton=15°C, toff=25°C (+/- 4°C)
LED indication	LEDs
Operating conditions	2nd environmental class, temperature: -10 °C÷40 °C, relative humidity 20%...90%, without condensation
Dimensions	67 x 63 x 30 (WxLxH)
Net/gross weight	0,08kg/0,12kg
Declarations, warranty	CE, RoHS, 5 year from the production date
Connectors	Φ0,41÷1,63 (AWG 26-14)