

## DS-3E1526P-EI

### Smart Managed 24-Port Gigabit PoE Switch

Smart managed switches are developed by Hikvision, featuring in easy management and maintenance. You can easily deploy, monitor and expand your surveillance system anytime and anywhere with our software platforms. You can view the network topology, monitor the health of the network and receive device alarms in real time, which greatly reduces the cost of network operation and maintenance.



Visualized Topology Management



Network Health Monitor



Real-Time Alarm Push



Video Control and Preview

### Key Feature

- 24 × gigabit PoE ports, and 2 × gigabit fiber optical ports.
- IEEE 802.3at/af standard for PoE ports.
- Network topology management, alarm push, network health monitor.
- 6 KV surge protection for PoE ports.
- AF/AT camera can reach up to 300 m in extend mode.
- PoE watchdog to auto detect and restart the cameras that do not respond.
- Various layer 2 management protocols such as STP/RSTP, VLAN, link aggregation, SNMP, QoS and so on.



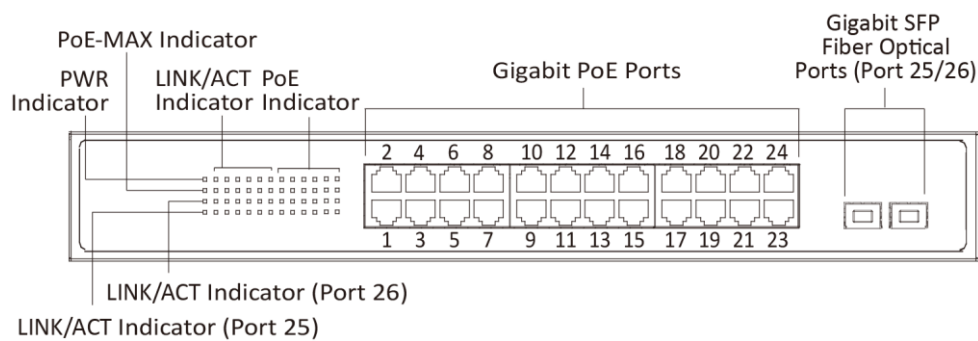
## Specification

Model		DS-3E1526P-EI
Network parameters	Port number	24 × gigabit PoE ports, and 2 × gigabit fiber optical ports
	Port type	RJ45 port, full duplex, MDI/MDI-X adaptive
	Standard	IEEE 802.3, IEEE 802.3u, IEEE 802.3x, IEEE 802.3ab, and IEEE 802.3z
	Forwarding mode	Store-and-forward switching
	Working mode	Standard mode (default); Extend mode
	MAC address table	8 K
	Switching capacity	52 Gbps
	Packet forwarding rate	36.688 Mpps
	Internal cache	4.1 Mbits
PoE power supply	PoE standard	IEEE 802.3af, IEEE 802.3at
	PoE power pin	Ethernet cables 1/2/3/6 provide power supply.
	PoE port	Ports 1 to 24
	Max. port power	30 W
	PoE power budget	370 W
General	Shell	Metal material
	Net weight	2.975 kg (6.56 lb)
	Gross weight	3.535 kg (7.79 lb)
	Dimension (L × H × D)	440 mm × 221 mm × 44 mm (17.32" × 8.70" × 1.73")
	Operating temperature	-10°C to 55°C (14°F to 131°F)
	Storage temperature	-40°C to 85°C (-40°F to 185°F)
	Operating humidity	5% to 95% (no condensation)
	Relative humidity	5% to 95% (no condensation)
	Power supply	100 to 240 VAC, 50/60 Hz, Max. 6.5 A
	Power source	400 W
	Max. power consumption	400 W
	Power consumption in idle	30 W
Software Function	Device maintenance	Support remote upgrade, recovering default parameters, viewing logs, configuring basic network parameters, import and export configuration, time sync.
	Port configuration	Support the configuration of port rate and slow control, and ports enabling.
	Long range	Support up to 300 m transmission.
	PoE watchdog	Ports 1 to 24: auto detect and restart the cameras that do not respond.
	Port rate-limiting	Support rate-limiting for ingress and egress ports.
	Storm control	Support the storm control of unknown unicast, multicast and broadcast.
	Port mirroring	Support port mirroring function.
	QoS	Support WRR and SP scheduling and port priority.
	VLAN	Support 4094 VLANs.
	STP	Support STP and RSTP.
	SNMP	Support SNMPv1 and SNMPv2c, the node information for system and interfaces acquisition.
PoE	Support IEEE 802.3at/af power supply.	

Model	DS-3E1510P-EI	
Approval	EMC	FCC (47 CFR Part 15, Subpart B); CE-EMC (EN 55032: 2015, EN 61000-3-2: 2014, EN 61000-3-3: 2013, EN 55024: 2010 +A1: 2015); RCM (AS/NZS CISPR 32: 2015); IC (ICES-003: Issue 6, 2016)
	Safety	UL (UL 60950-1); CB (IEC 60950-1:2005 + Am 1:2009 + Am 2:2013); CE-LVD (EN 60950-1:2005 + Am 1:2009 + Am 2:2013)
	Chemistry	CE-RoHS (2011/65/EU); WEEE (2012/19/EU); Reach (Regulation (EC) No 1907/2006)

## Physical Interface

Front panel:



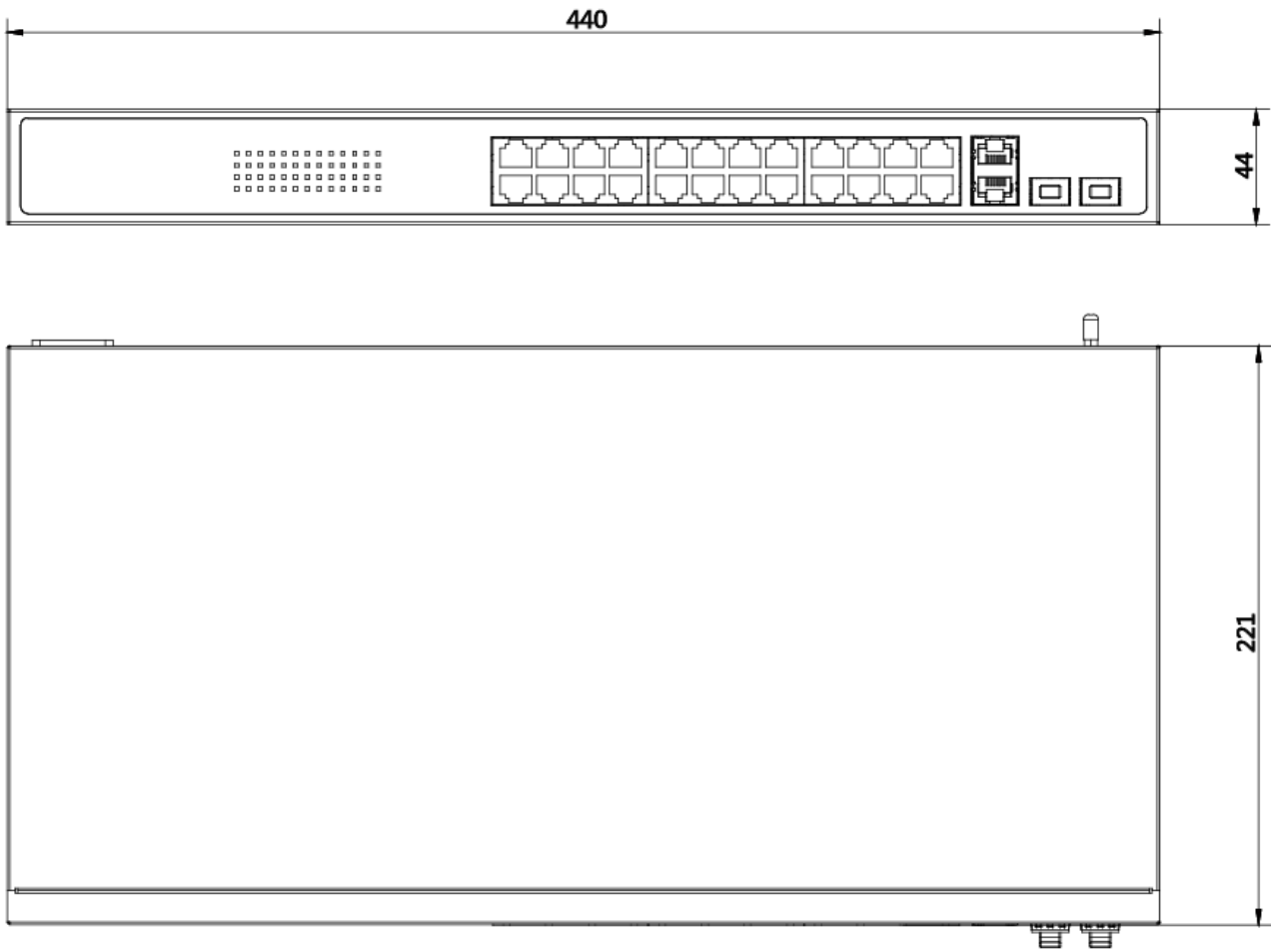
Rear panel:



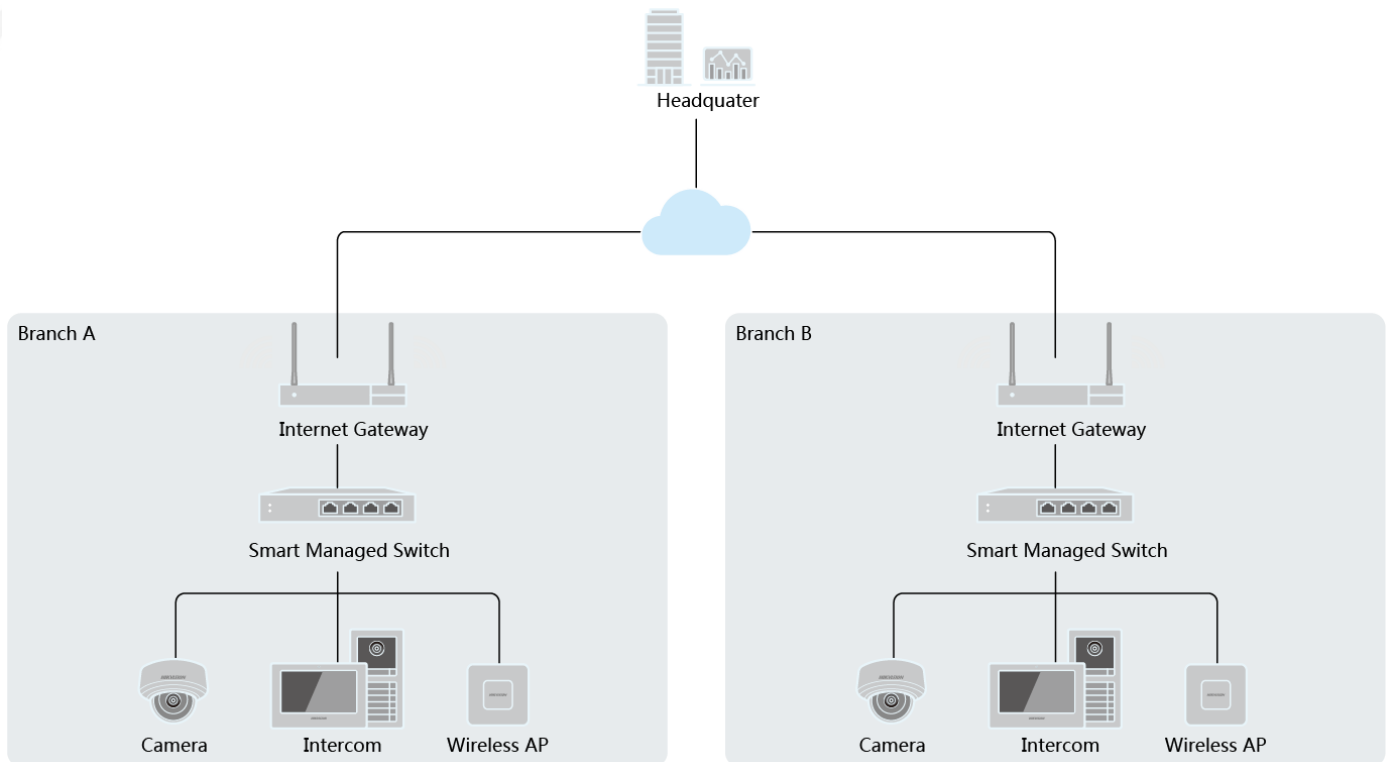
## Available Model

DS-3E1526P-EI

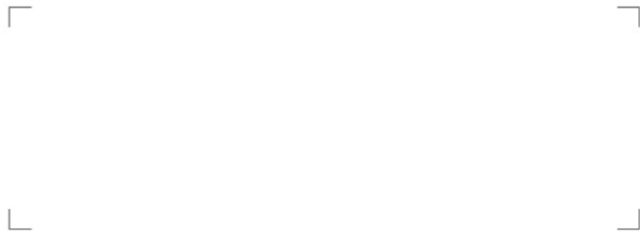
**Dimension (unit: mm)**



## Typical Application



Distributed by



## HIKVISION®

### Headquarters

No.555 Qianmo Road, Binjiang District,  
Hangzhou 310051, China  
T +86-571-8807-5998  
overseasbusiness@hikvision.com

**HIKVISION USA**  
T +1-909-895-0400  
sales.usa@hikvision.com

**HIKVISION Australia**  
T +61-2-8599-4233  
salesau@hikvision.com

**HIKVISION India**  
T +91-22-28469900  
sales@pramahikvision.com

**HIKVISION Canada**  
T +1-866-200-6690  
sales.canada@hikvision.com

**HIKVISION Thailand**  
T +662-275-9949  
sales.thailand@hikvision.com

**HIKVISION Europe**  
T +31-23-5542770  
sales.eu@hikvision.com

**HIKVISION Italy**  
T +39-0438-6902  
info.it@hikvision.com

**HIKVISION Brazil**  
T +55 11 3318-0050  
Latam.support@hikvision.com

**HIKVISION Turkey**  
T +90 (216)521 7070- 7074  
sales.tr@hikvision.com

**HIKVISION Malaysia**  
T +601-7652-2413  
sales.my@hikvision.com

**HIKVISION UK & Ireland**  
T +01628-902140  
sales.uk@hikvision.com

**HIKVISION South Africa**  
Tel: +27 (10) 0351172  
sale.africa@hikvision.com

**HIKVISION France**  
T +33(0)1-85-330-450  
info.fr@hikvision.com

**HIKVISION Kazakhstan**  
T +7-727-9730667  
nikia.panfilov@hikvision.ru

**HIKVISION Vietnam**  
T +84-974270888  
sales.vt@hikvision.com

**HIKVISION UAE**  
T +971-4-4432090  
salesme@hikvision.com

**HIKVISION Singapore**  
T +65-6684-4718  
sg@hikvision.com

**HIKVISION Spain**  
T +34-91-737-16-55  
info.es@hikvision.com

**HIKVISION Tashkent**  
T +99-87-1238-9438  
uzb@hikvision.ru

**HIKVISION Hong Kong**  
T +852-2151-1761  
info.hk@hikvision.com

**HIKVISION Russia**  
T +7-495-669-67-99  
saleru@hikvision.com

**HIKVISION Korea**  
T +82-[0]31-731-8817  
sales.korea@hikvision.com

**HIKVISION Poland**  
T +48-22-460-01-50  
info.pl@hikvision.com

**HIKVISION Indonesia**  
T +62-21-2933759  
Sales.Indonesia@hikvision.com

**HIKVISION Colombia**  
sales.colombia@hikvision.com