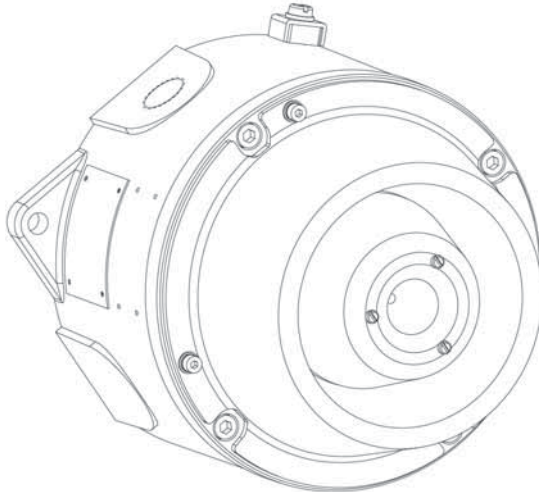




Technical Manual for the Sounders – DB1 & DB1H
Manuel technique pour sondeurs DB1 et DB1H
Technisches Handbuch für die Summer DB1 und DB1H
Manual Técnico para os dispositivos de
sinalização audível – DB1 e DB1H



Please note that every care has been taken to ensure the accuracy of our technical manual. We do not, however, accept responsibility for damage, loss or expense resulting from any error or omission. We reserve the right to make alterations in line with technical advances and industry standards.

Toutes les précautions ont été prises pour garantir l'exactitude du contenu de cette notice technique. Néanmoins, nous déclinons toute responsabilité à l'égard des éventuels dégâts, pertes ou frais résultant de la présence dans cette documentation d'une quelconque erreur ou omission. Nous nous réservons le droit d'apporter à cette notice toute modification rendue nécessaire du fait de progrès techniques ou de l'évolution des normes industrielles.

Es wurden alle erforderlichen Maßnahmen getroffen, um die Genauigkeit unseres technischen Handbuchs sicherzustellen. Wir übernehmen allerdings keine Haftung für Schäden, Verluste oder Kosten, die durch Fehler oder Auslassungen entstehen. Wir behalten uns vor, entsprechend der technischen Fortschritte und Branchenstandards Änderungen vorzunehmen.

Nota que foram feitos todos os esforços para assegurar a ausência de erros no nosso manual técnico. No entanto, não nos responsabilizamos por eventuais danos, perdas ou despesas que possam resultar de algum erro ou omissão. Reservamos o direito de efectuar alterações para reflectir avanços técnicos e normas da indústria.

1.0 INTRODUCTION

This range of light weight, flameproof sounders has been designed with a high weatherproof rating to cope with the harsh environmental conditions found offshore and onshore in the oil, gas and petrochemical industries

New electronic circuitry allows the DB1 and DB1H to be switched between two user selectable tones by either reversing the polarity, or connecting a second voltage supply (dual tone facility is available on dc units only). The higher output DB1H is particularly suitable for noisy environments.

2.0 INSTALLATION

General

When installing and operating explosion-protected equipment, requirements for selection, installation and operation should be referred to e.g. IEE Wiring Regulations and the 'National Electrical Code' in North America. Additional national and/or local requirements may apply.

Ensure that all nuts, bolts and fixings are secure.

Ensure that only the correct listed or certified stopping plugs are used to blank off unused gland entry points and that the NEMA/IP rating of the unit is maintained. MEDC recommend the use of a sealing compound such as 'HYLOMAR PL32' on the threads of glands and stopping plugs in order to maintain the IP or NEMA rating of the unit.

The sounder is mounted via the 2 off Ø9mm fixing holes. The fixing holes have been designed to accept an M8 screw or bolt.

MEDC recommend the use of stainless steel screws.

The unit has been designed and certified to operate at any attitude – from horizontal to vertical however, it is important to note that the alignment of the sounder should ensure that:-

1. Dust or debris cannot lodge or settle in the re-entrant horn
2. Water from hoses, jets or rain cannot settle in the re-entrant horn

Cable Termination

CAUTION: Before removing the cover assembly, ensure that the power to the unit is isolated.

Unscrew the 4 off M6 screws (5.0mm A/F hexagon key) holding the cover assembly to the base. Keep screws in a safe accessible place as they are not retained in the cover.

Before lifting the cover, gently twist the cover assembly clockwise then anti-clockwise to break the seal.

Continue to gently twist the cover clockwise and anti-clockwise while gently lifting the cover assembly away from the base of the enclosure to gain access to the interior.

The cover assembly is connected to the cover by a nylon restraining strap to prevent loss.

Cable termination should be in accordance with specifications applying to the required application. MEDC recommends that all cables and cores should be correctly identified. Please refer to the wiring diagram provided with the product and see below for wiring options.

Ensure that only the correct listed or certified cable glands are used and that the assembly is shrouded and correctly earthed.

All cable glands should be of an equivalent NEMA/IP rating to that of the unit and integrated with the unit such that this rating is maintained.

The internal earth terminal, where fitted, must be used for the equipment grounding connection and the external terminal is for a supplementary bonding connection where local codes or authorities permit or require such a connection.

Once termination is complete ensure that both the spigot of the cover and the mating face of the body are well covered with a suitable anti-seize compound. Carefully lower the cover assembly back onto the base, avoiding damage to the mating surfaces, ensuring the O-ring is correctly seated in its groove during re-assembly. Replace the 4 off M6 screws (5.0mm A/F hexagon key) into the holes in the cover assembly and tighten evenly. Ensure the required gap (0.2mm Max.) is maintained between the cover and the base.

Wiring options

The unit is available in three basic configurations:

1. DC input, single tone
2. DC input, dual tone
3. AC input, single tone

Type 1 has 8 terminals labelled as TB1 to TB8. The supply should be connected to TB1 (+ve), TB3 (-ve), loop out on TB2 & TB4 respectively.

Type 2 has 8 terminals labelled as TB1 to TB8.

For a 2 wire system, the supply should be connected to TB1 (+ve), TB3 (-ve), loop out on TB2 & TB4 respectively to produce tone 1. Tone 2 is produced when the polarity of the supply is reversed TB1 (-ve), TB3 (+ve), loop out on TB2 & TB4 respectively. Optionally, an EOL resistor may be fitted between TB2 & TB4.

For a 3 wire system, the supply should be connected to TB1 (common +ve), TB3 (-ve1) & TB5 (-ve2), loop out on TB2, TB4 & TB6 respectively. Tone 1 is produced when the supply is connected to TB1 (common +ve) & TB3 (-ve1). Tone 2 is produced when the supply is connected to TB1 (common +ve) & TB5 (-ve2). Alternatively Tone 2 may also be produced by reversing the polarity of the Tone 1 supply TB1 (-ve), TB3 (+ve), loop out on TB2 & TB4 respectively. Optionally and EOL resistor can be fitted between TB2 & TB4 or TB2 & TB6.

Type 3 has 8 terminals labelled as TB1 to TB8. The supply should be connected to TB1 (Live), TB3 (Neutral), loop out on TB2 & TB4 respectively.

3.0 OPERATION

The operating voltage of the unit is stated on the certification label.

The DC version can be operated as a dual tone unit. The unit can be switched between the two tones by either:-

a. Connecting as a 2 wire system and reversing the polarity of the supply

With TB1 (+ve) and TB3 (-ve) tone 1 is produced as set by DIL switch 'TONE 1'.

With TB1 (-ve) and TB3 (+ve) tone 2 is produced as set by DIL switch 'TONE 2'.

b. Connecting as a 3 wire common +ve system and switching between the two -ve lines

With TB1 (+ve) and TB3 (-ve) tone 1 is produced as set by DIL switch 'TONE 1'.

With TB1 (+ve) and TB5 (-ve) or TB1 (-ve) and TB3 (+ve) tone 2 is produced as set by DIL switch 'TONE 2'.

The AC version can be operated as a single tone unit only.

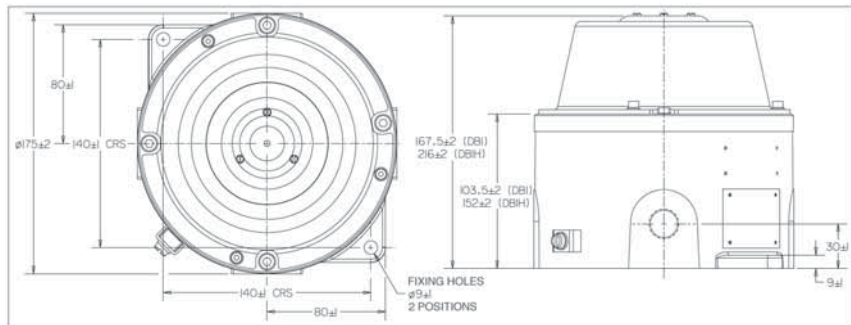
Tones

For all versions, a 5-way DIL switch selects the tone required. The standard settings are shown in table 1 below:

Table 1

STONE No.	STONE FREQ/DESCRIPTION	SWITCH SETTING 12345	STONE DESCRIPTION	Nominal SPL (dB(A) @ 1M)
1	Alt Tones 800/970 Hz at 1/4 sec	11111		114
2	Sweeping 800/970 Hz at 7 Hz	11110	Fast Sweep (LF)	114
3	Sweeping 800/970 Hz at 1 Hz	11101	Medium Sweep (LF)	114
4	Continuous at 2850 Hz	11100		109
5	Sweeping 2400-2850 Hz at 7 Hz	11011	Fast Sweep	114
6	Sweeping 2400-2850 Hz at 1 Hz	11010		114
7	Slow Whoop	11001	Slow Whoop	115
8	Sweep 1200-500 Hz at 1 Hz	11000	Din Tone	115
9	Alt Tones 2400/2850 Hz at 2 Hz	10111		111
10	Int Tone of 970 Hz at 1 Hz	10110	Back-up Alarm (LF)	114
11	Alt Tones 800/970 Hz at 7/8 Hz	10101		114
12	Int Tone at 2850 Hz at 1Hz	10100	Back-up Alarm (HF)	109
13	970 Hz at 1/4 sec on 1 sec off	10011		114
14	Continuous at 970 Hz	10010		114
15	554 Hz for 0.1S/440 Hz for 0.4S	10001	French Fire Sound	101
16	Int 660 Hz 150 mS on 150 mS off	10000	Swedish Fire Alarm	106
17	Int 660 Hz 1.8 sec on 1.8 sec off	01111	Swedish Fire Alarm	106
18	Int 660 Hz 6.5 sec on 13 sec off	01110	Swedish Fire Alarm	104
19	Continuous 660 Hz	01101	Swedish Fire Alarm	106
20	Alt 554/440 Hz at 1 Hz	01100	Swedish Fire Alarm	100
21	Int 660 Hz at 7/8 Hz	01011	Swedish Fire Alarm	106
22	Int 2850 Hz 150 mS on 100 mS off	01010	Pelican Crossing	109
23	Sweep 800-970 Hz at 50 Hz	01001	Low Freq. Buzz	113
24	Sweep 2400 -2850 Hz at 50 Hz	01000	High Freq. Buzz	112
25	3x970 Hz pulses 0.5 off, 1.5 off	00111		113
26	3x2850 Hz pulses 0.5on/0.5off, 1.5 off	00110		109
27	Int 3100 Hz 0.32s on/0.68s off	00101		110
28	Spare / Customer special tone	00100		
29	Spare / Customer special tone	00011		
30	Spare / Customer special tone	00010		
31	Spare / Customer special tone	00001		
32	Spare / Customer special tone	00000		

GENERAL ARRANGEMENT



4.0 MAINTENANCE

During the working life of the unit, it should require little or no maintenance. However, if abnormal or unusual environmental conditions occur due to plant damage or accident etc., then visual inspection is recommended. If the unit requires cleaning, then only clean exterior with a damp cloth to avoid electro-static charge build up. If a unit fault should occur, then the unit can be repaired by MEDC or by an authorised repairer of Ex equipment. All parts of the unit are replaceable.

If you acquired a significant quantity of units, then it is recommended that spares are also made available. Please discuss your requirements with the Technical Sales Engineers at MEDC.

DB1H spares	
DESCRIPTION	PART No.
Plastic flare assembly (red)	PX99901540
Other colours available	Contact MEDC
O-ring	PX99900750
Electronics assembly (12/24Vdc - dual tone)	PX99900335
Other assemblies available	Contact MEDC
Cover screw (4 off required)	PX99900818

5.0 CERTIFICATION/APPROVALS

IECEx units

Certified to IEC60079-0 and IEC60079-1

DB1

Ex d unit (IEC certification No. IECEx BAS 10.0065X)

Ex d IIB T6 (Tamb. -20°C to +55°C) Gb

DB1H

Ex d unit (IEC certification No. IECEx BAS 10.0064X)

Ex d IIB T5 (Tamb. -20°C to +70°C) Gb

The IECEx certificate and product label carry the IECEx equipment protection level marking

Gb

Where Gb signifies suitability for use in a Zone 1 surface industries area in the presence of gas.

ATEX units

Certified to EN60079-0 and EN60079-1

DB1

Ex d unit (ATEX certification No. Baseefa02ATEX0207X)

Ex d IIB T6 (Tamb. -20°C to +55°C) Gb

DB1H

Ex d unit (ATEX certification No. Baseefa02ATEX0209X)

Ex d IIB T5 (Tamb. -20°C to +70°C) Gb

The ATEX certificate and product label carry the ATEX group and category marking:

 II 2 G

Where:

 Signifies compliance with ATEX

II Signifies suitability for use in surface industries

2 Signifies suitability for use in a zone 1 area

G Signifies suitability for use in the presence of gases

(DB1H) DNV Type approved (H and 24VDC versions only). Approved according to IEC60945: Maritime navigation and radio communication equipment and systems.

The equipment is classed as exposed.

Minimum compass safe distance is 5m.

6.0 SPECIAL CONDITIONS FOR SAFE USE (IECEx and ATEX)

1. The enclosure is a potential electrostatic charging hazard, and should only be cleaned with a damp cloth.

7.0 FUNCTIONAL SAFETY - DB1H

Introduction

The DB1H Sounder has been designed for use in potentially explosive atmospheres and harsh environmental conditions. The marine grade alloy or stainless enclosures are for use offshore or onshore, where light weight combined with corrosion resistance and strength is required.

The safety function of the Sounder is to provide a pre-determined audible warning sound when required if the correct voltage is applied to the unit. The DC version of the Sounder is designed to operate on a supply voltage tolerance of +/- 20%,

Under No fault (Normal) Operating conditions the DB1 Sounder will provide an audible warning sound when required by the system.

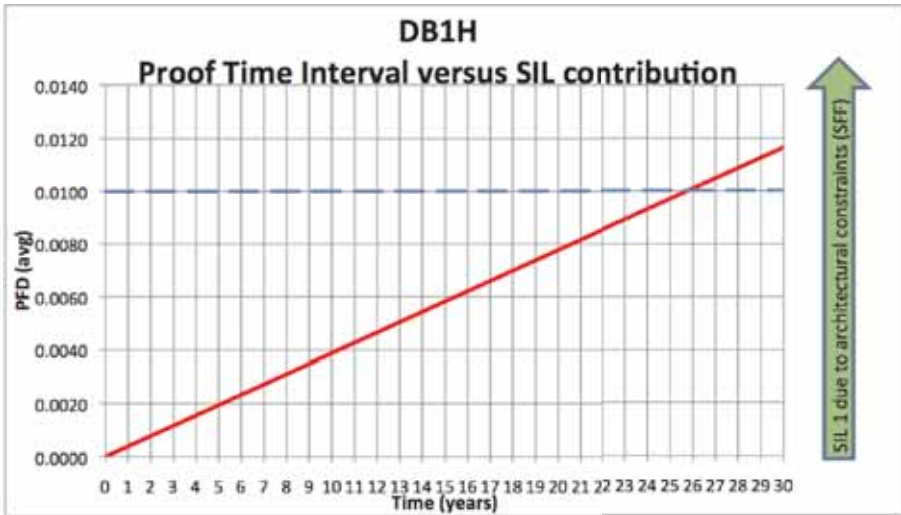
Under fault conditions the failure mode of the Sounder is a failure to provide an audible warning sound. For the failure rate associated with this failure mode please refer to the table below.

Assessment of Functional Safety

This Sounder is intended for use in a safety system conforming to the requirements of IEC61508. UL has conducted a Failure Modes Effect and Diagnostic Analysis (FMEDA) of the DC version of DB1H Sounder against the requirements of IEC 61508-2 using a Proof Test Interval of 8760hrs.

The results are shown below and are based on Route 1_H
 The Sounder is classed as a Type B device

DB1H SOUNDER					
Safety Function of DB1H Sounder: <i>To provide a pre-described audible warning sound when required</i>					
Summary of Clauses 2/7.4.2 and 2/7.4.4		DB1H Sounder <i>Single Mode (1oo1)</i>	DB1H Sounder <i>Redundant Mode (1oo2)</i>	Verdict	
Architectural constraints Safe Failure Fraction (SFF)		HFT=0	HFT=1	Type B	
		65%	65%	SIL 1 (1oo1) SIL 2 (1oo2)	
Random hardware failures: [h ⁻¹]	λ _{DD}	6.45E+09	6.45E+10		
	λ _{DU}	8.87E-08	8.87E-09		
Random hardware failures: [h ⁻¹]	λ _{SD}	0.00E+00	0.00E+00		
	λ _{SU}	1.59E-07	1.59E-08		
PFD @ PTI = 8760Hrs MTTR = 8 Hrs		3.89E-04	3.89E-05	SIL 3(1oo1)	
Average freq. of dangerous failure (high demand-PFH)[h ⁻¹]		8.86E-08	8.86E-09	SIL 3(1oo1)	
Hardware safety integrity compliance		Route 1 _H			
Systematic safety integrity compliance		Route 1 _s			
Systematic Capability <small>(SC1, SC2, SC3, SC4)</small>		SC2			
Hardware safety integrity achieved		Limited to: SIL 1 (1oo1) & SIL 2 (1oo2) due to SFF value.			



Conditions of Safe use

The following conditions apply to the installation, operation and maintenance of the assessed equipment. Failure to observe these may compromise the safety integrity of the assessed equipment:

1. The user shall comply with the requirements given in the manufacturer's user documentation (This Safety Manual and Technical manual) in regard to all relevant functional safety aspects such as application of use, installation, operation, maintenance, proof tests, maximum ratings, environmental conditions, repair, etc;
2. Selection of this equipment for use in safety functions and the installation, configuration, overall validation, maintenance and repair shall only be carried out by competent personnel, observing all the manufacturer's conditions and recommendations in the user documentation.
3. **All information associated with any field failures of this product should be collected under a dependability management process (e.g., IEC 60300-3-2) and reported to the manufacturer.**
4. The unit should be tested at regular intervals to identify any malfunctions; in accordance with this safety manual.
5. If the product is used in a redundant installation, both hardware safety integrity and systematic safety integrity for SIL 2 can be achieved. The installation must be such as to ensure sufficient protection against common cause failures and independence from cascading failures.

1.0 INTRODUCTION

Cette gamme de sondeurs légers et antidéflagrantes ont été conçus dans le but de résister aux rigoureuses conditions environnementales trouvées onshore et offshore dans les industries pétrolière, gazière et pétrochimique

Le nouveau circuit électronique autorise les DB1 et DB1H à alterner entre deux tonalités utilisateur sélectionnables, soit en inversant la polarité, ou en connectant une seconde source d'alimentation (cette installation à double tonalité est uniquement disponible sur les unités en courant continu).

Le DB1H de plus grande sortie est conseillé pour les environnements bruyants.

2.0 INSTALLATION

Généralités

Pour toute installation et mise en oeuvre d'un équipement électrique antidéflagrant, la réglementation applicable, comme celle sur les installations électriques de IEE Wiring Regulations (réglementation IEE du câblage) et le National Electrical Code (« code électrique national ») en Amérique du Nord, doit être respectée. D'autres réglementations nationales et/ou locales sont susceptibles de s'appliquer.

Vérifiez que les écrous, boulons et fixations sont correctement serrés.

Veillez à obtenir les points d'entrée non utilisés à l'aide de bouchons certifiés du type approprié et prenez soin de maintenir le niveau de classification NEMA/IP de l'unité. Afin de maintenir le niveau de classification NEMA/IP, MEDC recommande d'enduire le filetage des presse-étoupes et des bouchons d'une pâte d'étanchéité (« HYLOMAR PL32 », par exemple).

Le sondeur est monté via les deux orifices Ø9mm. Ces orifices peuvent recevoir une vis ou un boulon de type M8

MEDC recommande d'utiliser des vis en acier inoxydable.

L'unité a été conçu et certifié pour opérer en tout sens, d'horizontal à vertical. Toutefois, l'alignement du sondeur doit prendre en compte de ne pas :

1. Permettre aux poussières et aux débris de venir se loger dans la trompe d'alarme rentrante
2. Permettre à l'eau de pluie, des jets ou des tuyaux de venir se loger dans la trompe d'alarme rentrante

Connexion des câbles

ATTENTION : Avant de déposer le couvercle, vérifiez que l'unité est hors circuit.

Dévissez les quatre vis M6 (clé Allen 5,0mm A/F) maintenant le couvercle en place. Prenez soin de garder les vis à un endroit sûr et accessible.

Avant de soulever le couvercle, tournez-le doucement dans un sens (horaire) puis dans l'autre (anti-horaire) pour briser le sceau.

Toujours de la même manière, continuez de le tourner doucement en le soulevant du boîtier pour accéder à l'intérieur.

Le couvercle est relié par une sangle en nylon à l'ensemble supérieur pour éviter toute perte.

La connexion des câbles doit être conforme aux spécifications pertinentes au vu de l'application. MEDC recommande d'identifier clairement tous les câbles et conducteurs. Veuillez-vous référer au schéma de câblage fourni avec le produit et aux options de câblage ci-dessous.

Veillez à utiliser des presse-étoupes certifiés du type approprié et vérifiez que l'ensemble est protégé et correctement mis à la terre.

Tous les presse-étoupes doivent présenter un indice NEMA/IP équivalent à celui du feu et être intégrés à l'unité de façon à assurer le maintien de sa classification.

La borne interne de mise à la terre doit être utilisée pour mettre l'équipement à la terre. La borne externe est destinée à une connexion de protection supplémentaire et doit être utilisée lorsque la réglementation locale autorise ou impose une telle connexion.

Une fois les raccordements terminées, assurez-vous que l'ergot du couvercle et la surface de l'ensemble soit couvert d'un composé antigrippant adapté. Remettez soigneusement le couvercle en place, en veillant à ne pas abîmer les surfaces de contact et en vérifiant que le joint torique est parfaitement positionné dans son logement lors du réassemblage. Revissez les quatre vis M6 (clé Allen 5,0mm A/F) dans les orifices du couvercle et serrez-les uniformément. Vérifiez que l'écartement nécessaire entre le couvercle et le boîtier ne dépasse pas 0,2mm.

Options de câblage

L'unité dispose de trois configurations :

1. entrée CC, simple tonalité
2. entrée CC, double tonalité
3. entrée CA, simple tonalité

Type 1: 8 terminaux, TB1 à TB8. L'alimentation doit être connectée à TB1 (+ve), TB3 (-ve) et en boucle sur TB2 et TB4, respectivement.

Type 2: 8 terminaux, TB1 à TB8.

Pour un système à double câblage,, l'alimentation doit être connectée à TB1 (+ve), TB3 (-ve) et en boucle sur TB2 et TB4, respectivement, pour produire la tonalité 1. La tonalité 2 est produit lorsque la polarité de l'alimentation est inversée sur TB1 (+ve), TB3 (-ve) et en boucle sur TB2 et TB4, respectivement. Facultatif : une résistance EOL peut être insérée entre TB2 et TB4.

Pour un système à triple câblage, l'alimentation doit être connectée à TB1 (+ve commun), TB3 (-ve1) et TB5 (-ve2), et en boucle sur TB2, TB4 et TB6, respectivement. La tonalité 1 est obtenue si l'alimentation est connectée à TB1 (+ve commun) et TB3 (-ve1). La tonalité 2 est obtenue si l'alimentation est connectée à TB1 (+ve commun) et TB5 (-ve2). La tonalité 2 peut également être obtenue en inversant la polarité de l'alimentation de tonalité 1 TB1 (-ve), TB3 (+ve) et en boucle sur TB2 et TB4, respectivement. Facultatif : une résistance EOL peut être insérée entre TB2 et TB4, ou TB2 et TB6.

Type 3: 8 terminaux, TB1 à TB8. L'alimentation doit être connectée à TB1 (Live), TB3 (Neutre) et en boucle sur TB2 et TB4, respectivement.

3.0 FONCTIONNEMENT

La tension d'alimentation de l'unité est indiquée sur l'étiquette de certification.

La version CC peut fonctionner comme unité à double tonalité. L'unité peut passer d'une tonalité à l'autre : -

a. En utilisant un système à double câblage et en inversant la polarité de l'alimentation
Avec TB1 (+ve) et TB3 (-ve), la tonalité 1 est produite selon le paramètre de commutation DIL switch « TONALITÉ 1 (TONE 1) ».
Avec TB1 (+ve) et TB3 (-ve), la tonalité 2 est produite selon le paramètre de commutation DIL switch « TONALITÉ 2 (TONE 2) ».

b. En utilisant un système à triple câble sur +ve commun pour alterner entre les deux lignes -ve
Avec TB1 (+ve) et TB3 (-ve), la tonalité 1 est produite selon le paramètre de commutation DIL switch « TONALITÉ 1 (TONE 1) ».
Avec TB1 (+ve) et TB5 (-ve), ou TB1 (-ve) et TB3 (+ve), la tonalité 2 est produite selon le paramètre de commutation DIL switch « TONALITÉ 2 (TONE 2) »

La version CA peut uniquement fonctionner comme unité à simple tonalité.

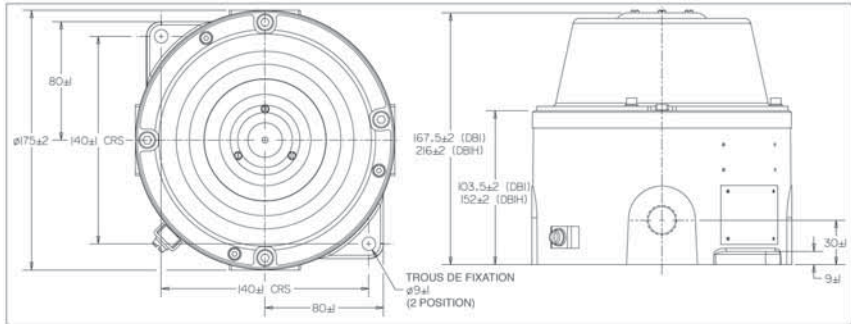
Tonalités

Toutes les versions sont équipées d'un commutateur DIL à 5 tonalités. Les paramètres standards sont résumés dans le tableau 1 suivant :

Tableau 1

TONALITÉ No.	DESCRIPTION/FRÉQ DE TONALITÉ	PARAMÈTRE DE COMMUTATION 12345	DESCRIPTION DE TONALITÉ	SPL nominale (dB(A) @ 1M)
1	Tonalités alt. 800/970 Hz à 1/4 sec	11111		114
2	Balayage 800/970 Hz à 7 Hz	11110	Balayage rapide (LF)	114
3	Balayage 800/970 Hz à 1 Hz	11101	Balayage moyen (LF)	114
4	Continu à 2850 Hz	11100		109
5	Balayage 2400-2850 Hz à 7 Hz	11011	Balayage rapide	114
6	Balayage 2400-2850 Hz à 1 Hz	11010		114
7	Son croissant	11001	Son croissant	115
8	Balayage 1200-500 Hz à 1 Hz	11000	Tonalité puissante	115
9	Tonalités alt. 2400/2850 Hz à 2 Hz	10111		111
10	Tonalité int. de 970 Hz à 1 Hz	10110	Alarme de secours (LF)	114
11	Tonalités alt. 800/970 Hz à 7/8 Hz	10101		114
12	Tonalité int. de 2 850 Hz à 1Hz	10100	Alarme de secours (HF)	109
13	970 Hz à 1/4 sec sur 1 sec off	10011		114
14	Continu à 970 Hz	10010		114
15	554 Hz pour 0.1S/440 Hz pour 0.4S	10001	Alarme incendie française	101
16	Int. 660 Hz 150 mS pour 150 mS off	10000	Alarme incendie suédoise	106
17	Int. 660 Hz 1,8 sec pour 1,8 sec off	01111	Alarme incendie suédoise	106
18	Int. 660 Hz 6,5 sec pour 13 sec off	01110	Alarme incendie suédoise	104
19	En continu 660 Hz	01101	Alarme incendie suédoise	106
20	Alt. 554/440 Hz à 1 Hz	01100	Alarme incendie suédoise	100
21	Int. 660 Hz à 7/8 Hz	01011	Alarme incendie suédoise	106
22	Int. 2850 Hz 150 mS pour 100 mS off	01010	Pélican	109
23	Balayage 800-970 Hz à 50 Hz	01001	Buzz à basse fréq.	113
24	Balayage 2400-2850 Hz à 50 Hz	01000	Buzz à haute fréq.	112
25	Pulsations 3x970 Hz 0,5 off, 1,5 off	00111		113
26	Pulsations 3x2850 Hz 0,5on/0,5off, 1,5 off	00110		109
27	Int. 3100 Hz 0.32s on/0.68s off	00101		110
28	Tonalité spéciale client/libre	00100		
29	Tonalité spéciale client/libre	00011		
30	Tonalité spéciale client/libre	00010		
31	Tonalité spéciale client/libre	00001		
32	Tonalité spéciale client/libre	00000		

DISPOSITION GENERALE



4.0 ENTRETIEN

Durant toute sa durée de vie, l'unité ne nécessite aucune ou peu de maintenance. Toutefois, lorsque les conditions environnementales peuvent avoir un effet sur l'équipement (machine endommagée, accident, etc.), il est recommandé de procéder à une inspection visuelle.

Si un nettoyage s'avère nécessaire, veillez à nettoyer uniquement l'extérieur avec un chiffon légèrement humide afin d'éviter l'accumulation d'électricité statique.

Si une unité venait à être endommagée, elle devrait être réparée par MEDC ou un réparateur agréé (équipements Ex). Toutes les pièces sont remplaçables.

Lorsqu'un nombre significatif d'unités ont été acquises, il est recommandé de disposer d'unités de rechange. Les technico-commerciaux de MEDC sont à la disposition de la clientèle pour toute étude des besoins.

Pièces détachées DB1	
DESCRIPTION	N° COMPOSANT
Assemblage de pavillon en plastique (finition rouge)	PX99901540
Autres coloris disponibles	Contacter MEDC
Joint torique	PX99900750
Assemblage de composants électroniques (12/24 V CC 2 tons)	PX99900335
Autres assemblages disponibles	Contacter MEDC
Vis de couvercle (x 4 requises)	PX99900818

5.0 CERTIFICATIONS/HOMOLOGATIONS

Unités IECEx

Certifié IEC60079-0 et IEC60079-1

DB1

Unité Ex d (certification IEC n° IECEx BAS 10.0065X)

Ex d IIB T6 (Tamb. -20°C à +55°C) Gb

DB1H

Unité Ex d (certification IEC n° IECEx BAS 10.0064X)

Ex d IIB T5 (Tamb. -20°C à +70°C) Gb

Le certificat IECEx et l'étiquette du produit portent le niveau de protection du matériel de marquage IECEx

Gb

Où Gb signifie que l'équipement est adapté à une utilisation dans les industries de surface, en zone 1, en présence du gaz.

Unités ATEX

Certifié EN60079-0 et EN60079-1

DB1

Unité Ex d (certification ATEX n° Baseefa02ATEX0207X)

Ex d IIB T6 (Tamb. -20°C à +55°C) Gb

DB1H

Unité Ex d (certification ATEX n° Baseefa02ATEX0209X)

Ex d IIB T5 (Tamb. -20°C à +70°C) Gb

Le certificat ATEX et l'étiquette du produit portent le groupe ATEX et la catégorie de marquage :

 II 2 G

Où :



Signifie que l'équipement est conforme à la réglementation ATEX

II Signifie que l'équipement est adapté à une utilisation dans les industries de surface

2 Signifie que l'équipement est adapté à une utilisation en zone 1

G Signifie que l'équipement est adapté à une utilisation en présence de gaz

Homologation de type DNV (H et 24VDC versions seulement). Certifié conforme à la norme CEI 60945 : équipement et systèmes de navigation et de radiocommunication maritimes.

L'équipement appartient à la catégorie des matériels exposés.

La distance minimale de sécurité du compas est de 5 m.

6.0 CONDITIONS SPÉCIALES POUR UNE UTILISATION EN TOUTE SÉCURITÉ (IECEx and ATEX)

1. Le boîtier étant sensible à la charge électrostatique, il ne devrait être nettoyé qu'avec un chiffon humide.

7.0 SÉCURITÉ FONCTIONNELLE - DB1H

Introduction

Le générateur de sons DB1H a été conçu pour être utilisé dans des atmosphères potentiellement explosives et des conditions environnementales sévères. Les boîtiers en alliage de catégorie marine ou inoxydables sont conçus pour être utilisés off-shore ou on-shore, où un poids léger et un haut niveau de résistance à la corrosion et de résistance mécanique sont nécessaires.

La fonction de sécurité du générateur de sons consiste à fournir un avertissement sonore pré-déterminé lorsque nécessaire, si la tension correcte est appliquée à l'unité. La version CC du générateur de sons est conçue pour fonctionner à une tolérance de tension d'alimentation de 20%.

Dans des conditions de fonctionnement sans défaillance (normales), le générateur de sons DB1H émet un avertissement sonore sur demande du système.

En cas de panne/défaillance le mode de panne du générateur de sons est indiqué par l'échec de l'émission de l'avertissement sonore. Pour de plus amples détails sur le taux d'échec/défaillance associé à ce mode de panne, voir le tableau ci-dessous.

Évaluation de sécurité fonctionnelle

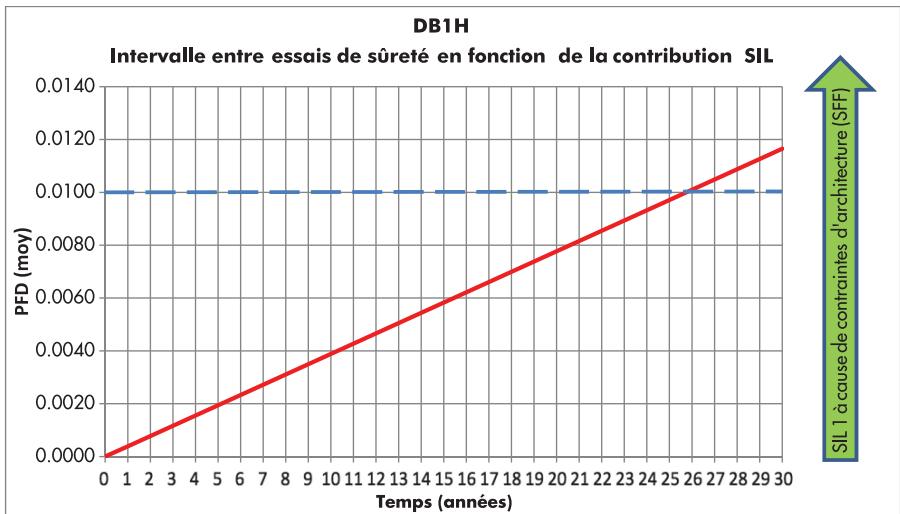
Le générateur de sons est destiné à être utilisé dans un système de sécurité conforme aux exigences IEC 61508.

UL a procédé à une étude « Effet des modes de panne et analyse du diagnostic » (FMEDA - Failure Modes Effect and Diagnostic Analysis) sur la version CC du générateur de sons DB1H par rapport aux exigences IEC 61508 -2, avec un intervalle entre essais de sûreté de 8760 heures.

Les résultats sont présentés ci-dessous et sont basés sur la Route 1_H.

Le générateur de sons a été classé comme appareil de type B.

GÉNÉRATEUR DE SONS DB1H				
Fonction de sécurité du générateur de sons DB1H : <i>Fournir un avertissement sonore pré-déclat lorsque nécessaire</i>				
Résumé des clauses 2/7.4.2 et 2/7.4.4	Générateur de sons DB1H		Générateur de sons DB1H	Verdict
	Mode simple (1oo1)		Mode redondant (1oo2)	
Contraintes architecturales Taux de défaillances de sécurité - SFF (Safe Failure Fraction)	HFT=0	HFT=1	Type B	
	65 %	65 %	SIL 1 (1oo1) SIL 2 (1oo2)	
Défaillances aléatoires de matériel : [h ⁻¹]	λ_{DD} λ_{DU}	6,45E+09 8,87E-08	6,45E+10 8,87E-09	
Défaillances aléatoires de matériel : [h ⁻¹]	λ_{SD} λ_{SU}	0,00E+00 1,59E-07	0,00E+00 1,59E-08	
PFH à PTI = 8 760 heures MTTR (moyenne des temps techniques de réparation) = 8 heures	3,89E-04	3,89E-05	SIL 3 (1oo1)	
Fréquence moyenne de défaillance dangereuse (Demande élevée - PFH) [h ⁻¹]	8,86E-08	8,86E-09	SIL 3 (1oo1)	
Conformité d'intégrité de sécurité du matériel	Route 1 _H			
Conformité d'intégrité de sécurité systématique	Route 1 _s			
Capacité systématique (SC1, SC2, SC3, SC4)	SC2			
Intégrité de sécurité du matériel réalisée	Limitée à : SIL 1 (1oo1) et SIL 2 (1oo2) en raison de la valeur SFF.			



Conditions d'utilisation sécurisée

Les conditions suivantes s'appliquent à l'installation, au fonctionnement et à l'entretien de l'équipement évalué. Le non-respect de ces conditions peut compromettre l'intégrité de sécurité de l'équipement évalué :

1. L'utilisateur est tenu de se conformer aux exigences énoncées dans la documentation utilisateur fournie par le fabricant (ce Manuel de sécurité et Manuel technique) concernant tous les aspects appropriés de fonctionnement sécurisé, tels que les applications d'utilisation, l'installation, le fonctionnement, l'entretien, les essais de sûreté, les taux maximum, les conditions environnementales, les réparations, etc. ;
2. Le choix de cet équipement en vue d'une utilisation de ses fonctions de sécurité, ainsi que son installation, sa configuration, sa validation globale, son entretien et toutes réparations, ne doit être effectué que par du personnel compétent dans le respect des conditions et recommandations émises par le fabricant dans la documentation utilisateur.
3. **Toutes les informations relatives à une quelconque défaillance de fonctionnement de ce produit doivent être collectées dans le cadre d'un processus de gestion de la fiabilité (par ex. : IEC 60300-3-2) et transmises au fabricant.**
4. L'unité doit être testée à intervalles réguliers afin d'identifier tout dysfonctionnement, conformément à ce manuel de sécurité.
5. Si le produit est utilisé dans une installation redondante, le niveau d'intégrité de sécurité du matériel et d'intégrité de sécurité systématique conforme à SIL 2 peut être atteint. L'installation doit garantir une protection suffisante contre les défaillances d'origine commune et assurer l'indépendance par rapport aux défaillances en cascade.

1.0 EINLEITUNG

Diese Reihe leichter und feuersicherer Summer wurde auf hohe Wetterbeständigkeit ausgelegt, um den rauen Umgebungsbedingungen auf hoher See und an Land in der Öl-, Gas- und Petrochemiebranche zu widerstehen.

Dank neuer Schaltungen kann der Ton bei den Modellen DB1 und DB1H durch Umkehren der Polarität oder durch Anschließen einer zweiten Stromquelle umgeschaltet werden (Zweitbetrieb ist nur bei DC-Einheiten möglich).

Das lautere Modell DB1H eignet sich vor allem für laute Umgebungen.

2.0 INSTALLATION

Allgemeines

Bei Installation und Betrieb explosionsgeschützter Komponenten finden Sie Informationen zu den Anforderungen für Auswahl, Installation und Betrieb z. B. in Nordamerika in den IEE Wiring Regulations (Verdrahtungsrichtlinien der IEE und im 'National Electrical Code' (Sicherheitsstandard für Elektroinstallationen in den USA) Möglicherweise gelten weitere lokale und/oder nationale Bestimmungen.

Stellen Sie sicher, dass alle Muttern, Schrauben und Befestigungen gesichert sind.

Stellen Sie sicher, dass nur die richtigen oder zertifizierten Stopfen verwendet werden, um ungenutzte Eingangspunkte zu verschließen und dass die NEMA/IP-Einstufung der Einheit erhalten bleibt. MEDC empfiehlt den Einsatz eines Dichtmittels, wie z. B. 'HYLOMAR PL32, an den Gewinden der Durchführungen und Stopfen, um die IP-Einstufung der Einheit zu erhalten.

Der Summer wird mit den beiden Befestigungsbohrungen (Ø 9mm) angebracht. Die Öffnungen wurden für eine M8-Schraube oder einen Bolzen konzipiert.

MEDC empfiehlt die Verwendung von Edelstahlschrauben.

Die Einheit wurde für den Betrieb in jeder Höhe entwickelt und zertifiziert (horizontal und vertikal). Die Ausrichtung des Summers muss jedoch Folgendes sicherstellen:

1. Staub und Verschmutzungen können sich nicht am Schalltrichter absetzen
2. Wasser aus Schläuchen/Düsen oder Regen kann nicht in den Schalltrichter gelangen

Kabelenden

ACHTUNG: Stellen Sie vor dem Abnehmen der Abdeckungseinheit sicher, dass der Energiefluss durch die Einheit isoliert ist.

Lösen Sie die vier M6-Schrauben (5,0mm A/F-Sechskantschlüssel), mit der die Abdeckung am Sockel fixiert wird. Bewahren Sie diese an einem sicheren und zugänglichen Ort auf, da sie nicht unverlierbar sind.

Drehen Sie die Abdeckung vor den Anheben leicht im Uhrzeigersinn und dann entgegengesetzt, um die Dichtung zu durchbrechen.

Drehen Sie die Abdeckung weiter hin und her, während Sie diese langsam vom Sockel abheben, um Zugriff auf das Innere zu erhalten.

Die Abdeckung ist mit einem Nylonriemen gesichert.

Die Terminierung der Kabel muss entsprechend der Anforderungen der jeweiligen Anwendung erfolgen. MEDC empfiehlt die korrekte Identifizierung aller Kabel und Kerne. Informationen zur Verdrahtung finden Sie im Schaltplan des Produkts.

Stellen Sie sicher, dass nur die richtig gelisteten oder zertifizierten Kabeldurchführungen verwendet werden und dass die Baugruppe korrekt verkleidet und geerdet ist.

Alle Kabeldurchführungen müssen über eine NEMA/IP-Einstufung verfügen, die der der Einheit entspricht und in diese integriert ist, sodass diese Einstufung erhalten bleibt.

Die interne Erdungsklemme (sofern vorhanden) muss für den Erdungsanschluss der Komponente verwendet

werden. Die externe Klemme ist für eine zusätzliche Verbindung vorgesehen, sofern lokale Vorschriften oder Behörden eine solche Verbindung zulassen.

Stellen Sie nach Abschluss der Terminierung sicher, dass die Arretierung der Abdeckung und die Kontaktfläche am Gehäuse mit einem geeigneten Anti-Haft-Mittel beschichtet werden. Bringen Sie die Abdeckung wieder vorsichtig am Sockel an. Vermeiden Sie Schäden an den Kontaktflächen und stellen Sie sicher, dass der O-Ring beim Zusammenbau korrekt in der Nut sitzt. Setzen Sie die vier M6-Schrauben (5,0mm A/F-Sechskantschlüssel) in die Öffnungen der Abdeckung ein, und ziehen Sie diese gleichmäßig fest. Stellen Sie sicher, dass der erforderliche Spalt (max. 0,2mm) zwischen Abdeckung und Gehäuse verbleibt.

Verdrahtungsoptionen

Die Einheit ist in drei Basiskonfigurationen erhältlich:

1. DC-Eingang, ein Ton
2. DC-Eingang, Doppelton
3. AC-Eingang, ein Ton

Typ 1 verfügt über acht Klemmen mit der Kennzeichnung TB1 bis TB8. Die Stromversorgung muss mit TB1 (+ve), TB3 (-ve) verbunden werden, Schleife bei TB2 und TB4.

Typ 2 verfügt über acht Klemmen mit der Kennzeichnung TB1 bis TB8.

Bei einem System mit zwei Leitern muss die Stromversorgung mit TB1 (+ve), TB3 (-ve) verbunden werden (Schleife bei TB2 und TB4), um Ton 1 zu erzeugen. Ton 2 wird erzeugt, wenn die Polarität von TB1 (-ve) und TB3 (+ve) umgekehrt wird (Schleife bei TB2 und TB4). Optional kann ein EOL-Widerstand zwischen TB2 und TB4 angebracht werden.

Bei einem System mit drei Leitern muss die Stromversorgung mit TB1 (+ve), TB3 (-ve1) und TB5 (-ve2) verbunden werden, Schleife bei TB2, TB4 und TB6. Ton 1 wird erzeugt, wenn die Stromversorgung mit TB1 (+ve) und TB3 (-ve1) verbunden ist. Ton 2 wird erzeugt, wenn die Stromversorgung mit TB1 (+ve) und TB5 (-ve2) verbunden ist. Ton 2 kann auch durch Umkehren der Polarität der Stromversorgung von Ton 1 über TB1 (-ve), TB3 (+ve) (Schleife bei TB2 und TB4) erzeugt werden. Optional kann ein EOL-Widerstand zwischen TB2 und TB4 oder TB2 und TB6 angebracht werden.

Typ 3 verfügt über acht Klemmen mit der Kennzeichnung TB1 bis TB8. Die Stromversorgung muss mit TB1 (Phase), TB3 (Neutral) verbunden werden, Schleife bei TB2 und TB4.

3.0 BETRIEB

Die Betriebsspannung der Einheit wird bei der Zertifizierungskennung angegeben.

Die DC-Version kann im Zweittonbetrieb eingesetzt werden. Die Töne können wie folgt umgeschaltet werden:

a. Anschließen als System mit zwei Leitern und Umkehren der Polarität der Versorgungsspannung

Bei TB1 (+ve) und TB3 (-ve) wird Ton 1 wie mit dem DIL-Schalter 'TONE 1' eingestellt erzeugt.

Bei TB1 (-ve) und TB3 (+ve) wird Ton 2 wie mit dem DIL-Schalter 'TONE 2' eingestellt erzeugt.

b. Anschließen als System mit drei Leitern und gemeinsamem +ve zwischen den beiden -ve-Leitern

Bei TB1 (+ve) und TB3 (-ve) wird Ton 1 wie mit dem DIL-Schalter 'TONE 1' eingestellt erzeugt.

Bei TB1 (+ve) und TB5 (-ve) oder TB1 (-ve) und TB3 (+ve) wird Ton 2 wie mit dem DIL-Schalter 'TONE 2' eingestellt erzeugt.

Die AC-Version kann nur mit einem Ton eingesetzt werden.

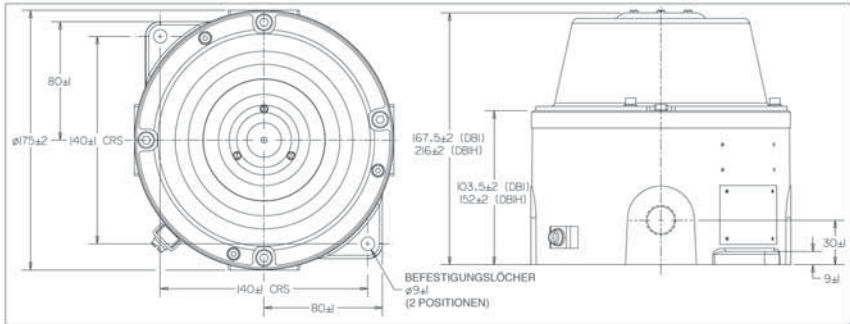
Töne

Bei allen drei Versionen wird der Ton mit einem 5-Wege-DIL-Schalter ausgewählt. Die Standardeinstellungen finden Sie in der nachfolgenden Tabelle 1:

Tabelle 1

TON Nr.	TONFREQUENZ/BESCHREIBUNG	SCHALTER STELLUNG G 12345	TONBESCHREIBUNG	Normal SPL (dB(A) bei 1M)
1	Wechselton Töne 800/970 Hz mit 1/4 s	11111		114
2	Tonverlauf 800/970 Hz mit 7 Hz	11110	Schneller Verlauf (LF)	114
3	Tonverlauf 800/970 Hz mit 1 Hz	11101	Mittlerer Verlauf (LF)	114
4	Dauerton mit 2.850 Hz	11100		109
5	Tonverlauf 2.400-2.850 Hz mit 7 Hz	11011	Schneller Verlauf	114
6	Tonverlauf 2.400-2.850 Hz mit 1 Hz	11010		114
7	Langsames Hupen	11001	Langsames Hupen	115
8	Tonverlauf 1.200-500 Hz mit 1 Hz	11000	DIN-Ton	115
9	Wechselton 2.400/2.850 Hz mit 2 Hz	10111		111
10	Int. Ton von 970 Hz mit 1 Hz	10110	Rückwärtsfahr-Alarm (LF)	114
11	Wechselton 800/970 Hz mit 7/8 Hz	10101		114
12	Int. Ton von 2.850 Hz mit 1 Hz	10100	Rückwärtsfahr-Alarm (HF)	109
13	970 Hz bei 1/4 s und 1 s aus	10011		114
14	Dauerton mit 970 Hz	10010		114
15	554 Hz für 0,1 s/440 Hz für 0,4 s	10001	Französischer Feueralarm	101
16	Int. 660 Hz 150 ms an, 150 ms aus	10000	Schwedischer Feueralarm	106
17	Int. 660 Hz 1,8 s an, 1,8 s aus	01111	Schwedischer Feueralarm	106
18	Int. 660 Hz 6,5 s an, 13 s aus	01110	Schwedischer Feueralarm	104
19	Dauerton 660 Hz	01101	Schwedischer Feueralarm	106
20	Wechselton 554/440 Hz bei 1 Hz	01100	Schwedischer Feueralarm	100
21	Int. 660 Hz bei 7/8 Hz	01011	Schwedischer Feueralarm	106
22	Int. 2.850 Hz 150 ms an, 100 ms aus	01010	Pelikankreuzung	109
23	Tonverlauf 800-970 Hz mit 50 Hz	01001	Tiefes Summen	113
24	Tonverlauf 2.400-2.850 Hz mit 50 Hz	01000	Hohes Summen	112
25	3 x Impuls mit 970 Hz, 0,5 s aus, 1,5 s an	00111		113
26	3 x Impuls mit 2.850 Hz, 0,5 s aus, 0,5 s an, 1,5 s aus	00110		109
27	Int. 3.100 Hz, 0,32 s an/0,68 s aus	00101		110
28	Reserve/Spezialton	00100		
29	Reserve/Spezialton	00011		
30	Reserve/Spezialton	00010		
31	Reserve/Spezialton	00001		
32	Reserve/Spezialton	00000		

ÜBERSICHTSZEICHNUNG



4.0 WARTUNG

Die Einheit benötigt im Nutzungszeitraum kaum oder gar keine Wartung. Sollte es aufgrund von Anlagenschäden, Unfällen etc. zu unnormalen oder ungewöhnlichen Umgebungsbedingungen kommen, wird eine Sichtprüfung empfohlen.

Muss die Einheit gereinigt werden, reinigen Sie nur die Außenseite mit einem feuchten Tuch, um elektrostatische Aufladung zu vermeiden.

Sollte ein Fehler auftreten, kann die Einheit von MEDC oder von einer autorisierten Werkstatt repariert werden. Alle Teile der Einheit sind austauschbar.

Wenn Sie eine größere Stückzahl dieser Einheit erworben haben, wird empfohlen, auch Ersatzteile bereitzustellen. Besprechen Sie Ihre Anforderungen mit den technischen Vertriebsmitarbeitern von MEDC.

Ersatzteile DB1	
BESCHREIBUNG	TEIL-Nr.
Kunststoffrichter-Baugruppe (rot)	PX99901540
Weitere Farben erhältlich	MEDC kontaktieren
O-Ring	PX99900750
Elektronik-Baugruppe (12/24 VDC -Dualton)	PX99900335
Weitere Baugruppen erhältlich	MEDC kontaktieren
Schraube für Abdeckung (4 Stück erforderlich)	PX99900818

5.0 ZERTIFIZIERUNG/GENEHMIGUNGEN

IECEx-Einheiten

Zertifiziert gemäß IEC60079-0 und IEC60079-1

DB1

Ex d-Einheit (IEC-Zertifizierungsnr. IECEx BAS 10.0065X)

Ex d IIB T6 (Tamb. -20 °C bis +55 °C) Gb

DB1H

Ex d-Einheit (IEC-Zertifizierungsnr. IECEx BAS 10.0064X)

Ex d IIB T5 (Tamb. -20 °C bis +70 °C) Gb

Das IECEx-Zertifikat und das Typenschild sind mit der IECEx-Schutzstufe versehen

Gb

Gb steht für die Eignung in einem Oberflächenbereich der Zone 1 bei Vorhandensein von Gas.

ATEX-Einheiten

Zertifiziert gemäß EN60079-0 und EN60079-1

DB1

Ex d-Einheit (ATEX-Zertifizierungsnr. Baseefa02ATEX0207X)

Ex d IIB T6 (Tamb. -20 °C bis +55 °C) Gb

DB1H

Ex d-Einheit (ATEX-Zertifizierungsnr. Baseefa02ATEX0209X)

Ex d IIB T5 (Tamb. -20 °C bis +70 °C) Gb

Das ATEX-Zertifikat und das Typenschild sind mit der ATEX-Gruppe und der Kategoriekennzeichnung versehen:

 II 2 G

Hierbei gilt:

 Steht für die ATEX-Kompatibilität

II Steht für die Eignung in Oberflächenbereichen

2 Steht für die Eignung in einem Bereich der Zone 1

G Steht für die Eignung bei Vorhandensein von Gasen

DNV-Bauart zugelassen (H und 24VDC nur). Zugelassen nach IEC60945: Navigations- und Funkkommunikationsgeräte und -systeme für die Seeschifffahrt

Die Geräte sind für Umweltextpositionen klassifiziert.

Der Mindest-Sicherheitsabstand zum Kompass beträgt 5 m.

6.0 SPEZIELLE BEDINGUNGEN FÜR DIE SICHERE VERWENDUNG (IECEx und ATEX)

1. Das Gehäuse stellt eine potenzielle elektrostatische Gefahr dar und darf nur mit einem feuchten Tuch gereinigt werden.

7.0 FUNKTIONALE SICHERHEIT - DB1H

Einführung

Der DB1H Signalgeber wurde für eine Verwendung in möglicherweise explosionsgefährlichen Atmosphären und unter harschen Umweltbedingungen entworfen. Die Gehäuse aus Edelstahl oder seewasserbeständiger Legierung eignen sich für eine Verwendung auf See und an Land, wenn ein geringes Gewicht gepaart mit Korrosionsbeständigkeit und Festigkeit gefragt ist.

Die Sicherheitsfunktion des Signalgebers dient der Ausstrahlung eines vordefinierten Warntons, wenn die korrekte Spannung an das Gerät angelegt wird. Die DC-Version des Signalgebers wurde für den Betrieb mit einer Versorgungsspannungstoleranz von +/- 20% entwickelt.

Unter fehlerfreien (normalen) Betriebsbedingungen liefert der DB1H Signalgebereinen hörbaren Warnton, sofern dies vom System erforderlich ist.

Bei Störbedingungen zeigt sich der Fehlermodus des Signalgebers dadurch, dass der hörbare Warnton nicht ausgegeben wird. Den Fehlerwert dieses Fehlermodus entnehmen Sie bitte der untenstehenden Tabelle.

Bewertung der funktionalen Sicherheit

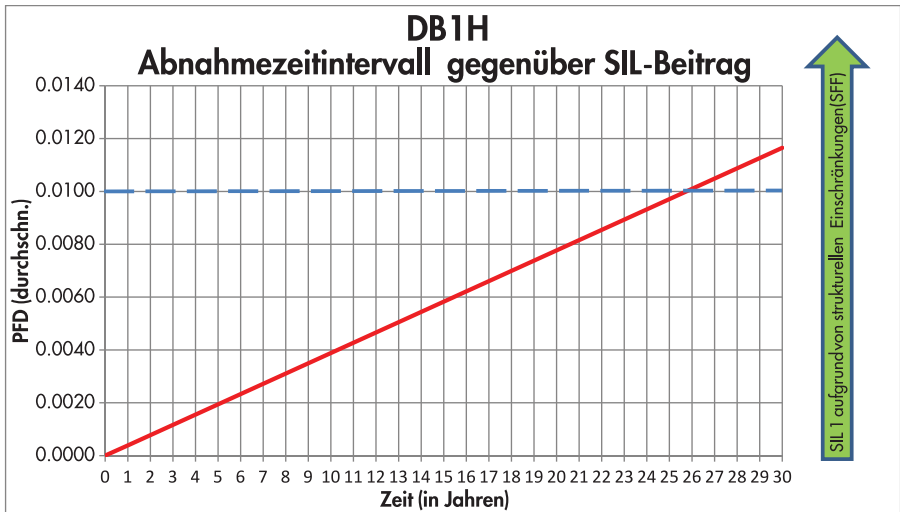
Dieser Signalgeber wurde für die Einbindung in ein Sicherheitssystem entwickelt, das die Anforderungen der Norm IEC 61508 erfüllt.

UL hat mit der DC-Version des DB1H Signalgebers eine Auswirkungsanalyse („Failure Modes Effect and Diagnostic Analysis“ – FMEA) gemäß den Anforderungen der Norm IEC 61508-2 mit einem Abnahmeprüfungsintervall von 8760 Std. durchgeführt.

Die Ergebnisse sind unten aufgeführt und basieren auf Strecke 1_H

Der Signalgeber wurde als Typ B-Geräte eingestuft

DB1H SIGNALGEBER			
Sicherheitsfunktion des DB1H Signalgebers: <i>Bei Bedarf, Erzeugen eines vordefinierten akustischen Warntons</i>			
Übersicht der Klauseln 2/7.4.2 und 2/7.4.4	DB1H Signalgeber		Urteil
	<u>Einzelmodus (1oo1)</u>	<u>Redundanter Modus (1oo2)</u>	
Strukturelle Einschränkungen Safe Failure Fraction (SFF)	HFT=0 65%	HFT=1 65%	Typ B SIL 1 (1oo1) SIL 2 (1oo2)
Zufällige Ausfälle der Hardware: [h ⁻¹]	λ_{DD} λ_{DU} 6,45E+09 8,87E-08	6,45E+10 8,87E-09	
Zufällige Ausfälle der Hardware: [h ⁻¹]	λ_{SD} λ_{SU} 0,00E+00 1,59E-07	0,00E+00 1,59E-08	
PF _D bei PTI = 8760 Std. MTTR = 8 Std.	3,89E-04	3,89E-05	SIL 3 (1oo1)
Durchschnittliche Frequenz gefährlicher Fehler (High Demand-PFH) [h ⁻¹]	8,86E-08	8,86E-09	SIL 3 (1oo1)
Einhaltung der Sicherheitsintegrität der Hardware	Route 1 _H		
Einhaltung der Sicherheitsintegrität des Systems	Route 1 _S		
Systemische Fähigkeit (SC1, SC2, SC3, SC4)	SC2		
Sicherheitsintegrität der Hardware erreicht	Beschränkt auf: SIL 1 (1oo1) und SIL 2 (1oo2) aufgrund des SFF-Werts.		



Bedingungen für einen sicheren Betrieb

Folgende Bedingungen beziehen sich auf die Installation, den Betrieb und die Wartung des beurteilten Geräts. Die Nichtbefolgung kann die Sicherheitsintegrität des beurteilten Geräts beeinträchtigen:

1. Der Benutzer hat sich bezüglich aller wichtigen funktionalen Sicherheitsaspekte, wie Anwendung, Installation, Betrieb, Wartung, Abnahmeprüfungen, Höchstleistungen, Umgebungsbedingungen, Reparatur usw. an die Anforderungen in der Herstellerdokumentation (dieses Sicherheitshandbuch und das technische Handbuch) zu halten.
2. Die Wahl dieses Geräts für die Verwendung in Sicherheitsfunktionen sowie die Installation, Konfiguration, Gesamtvalidierung, Wartung und Reparatur dürfen nur von entsprechend geschultem Personal durchgeführt werden, das alle Bedingungen und Empfehlungen des Herstellers in der Benutzerdokumentation befolgt.
3. **Alle Informationen zu Feldausfällen dieses Produktes müssen unter einem Zuverlässigkeitsmanagementprozess (z. B. IEC 60300-3-2) gesammelt und dem Hersteller mitgeteilt werden.**
4. Das Gerät sollte im Einklang mit diesem Sicherheitshandbuch in regelmäßigen Abständen überprüft werden, um Fehlfunktionen aufzufinden.
5. Wenn das Produkt in einer redundanten Installation verwendet wird, können sowohl die Sicherheitsintegrität der Hardware als auch die Sicherheitsintegrität des Systems für SIL 2 erreicht werden. Die Installation muss ausreichenden Schutz vor häufigen Fehlerursachen und Unabhängigkeit von kaskadierenden Fehlern gewährleisten.

1.0 INTRODUÇÃO

Esta gama de dispositivos de sinalização audível de baixo peso e à prova de chamas foi concebida com um elevada classificação de resistência às intempéries para assegurar o bom funcionamento nas condições ambientais adversas em mar ou em terra nos sectores da indústria do petróleo, gás e petroquímica.

Graças aos novos circuitos electrónicos, o utilizador pode mudar o DB1 e o DB1H entre dois sons seleccionáveis ao inverter a polaridade ou ao ligar uma segunda fonte de alimentação (a capacidade de 2 sons só está disponível nas unidades c.c.).

O volume de som superior do DB1H é especialmente adequado para ambientes ruidosos.

2.0 INSTALAÇÃO

Geral

Na instalação e utilização de equipamentos com protecção contra explosões, devem ser observados os regulamentos para a selecção, instalação e utilização por ex., IEE Wiring Regulations (Regulamentos de Cablagem da IEE) e o 'National Electrical Code' (Código Eléctrico Nacional) na América do Norte. Poderão aplicar-se outros regulamentos nacionais e/ou locais.

Certifique-se de que todas as porcas, parafusos e fixações estejam devidamente apertadas.

Certifique-se de que sejam utilizados apenas os bujões correctos especificados ou certificados para vedar entradas de cabo não utilizadas e de que a classificação NEMA/IP da unidade seja sempre assegurada. A MEDC recomenda o uso de um agente vedante como o 'HYLOMAR PL32 nas rosca das entradas e dos bujões para assegurar a classificação IP ou NEMA permanente da unidade.

O dispositivo de sinalização audível é montado através de dois orifícios de fixação com Ø 9mm. Os orifícios de fixação servem para colocar um parafuso M8.

A MEDC recomenda o uso de parafusos em aço inox.

A unidade foi concebida e está certificada para o funcionamento em qualquer posição – desde horizontal a vertical, no entanto é importante saber que o alinhamento do dispositivo de sinalização audível deve assegurar que:

1. Pó e detritos não entrem nem se possam depositar na reentrância da corneta
2. A água proveniente de mangueiras, jactos ou da chuva não possa assentar na reentrância da corneta

Cablagem

ATENÇÃO: Antes de remover a cobertura, certifique-se de que a unidade se encontra isolada da alimentação eléctrica.

Desaparafuse os 4 parafusos M6 (chave Allen de 5,0mm) que prendem a cobertura à base. Guarde os parafusos num local seguro dado que os mesmos não ficam retidos na cobertura.

Antes de levantar a cobertura, torça o conjunto da cobertura com pouca força no sentido do relógio e, em seguida, no sentido contrário para quebrar a selagem.

Continue a torcer a cobertura com pouca força nos dois sentidos do relógio e, ao mesmo tempo, retire o conjunto da cobertura cuidadosamente da base da caixa exterior para obter acesso ao interior.

O conjunto da cobertura está ligado à cobertura por uma fita retentora em nylon para impedir a sua perda.

Os cabos devem ser terminados de acordo com as especificações aplicáveis à respectiva aplicação. A MEDC recomenda que todos os cabos e fios condutores sejam identificados correctamente. Consulte o diagrama de cablagem fornecido com o produto e confira as opções de cablagem abaixo.

Certifique-se de que sejam utilizados apenas os passa-cabos especificados ou certificados correctos e de que o conjunto montado esteja blindado e ligado correctamente à terra.

Todos os passa-cabos devem ter uma classificação NEMA/IP equivalente à da unidade e devem integrar-se com a unidade de forma a que a classificação se mantenha.

Sempre que existente, o pino de terra interno deve ser usado para a ligação do equipamento à terra, enquanto o terminal externo serve para uma ligação suplementar onde regulamentos ou as autoridades locais o permitirem ou exigirem esse tipo de ligação.

Após a cablagem, certifique-se de que o espigão da cobertura e a superfície de contacto da caixa exterior estejam devidamente protegidos com um composto antiemperramento adequado. Volte a colocar a cobertura com cuidado na base sem danificar as superfícies de contacto, e certifique-se de que o O-ringue esteja correctamente assente na respectiva ranhura durante a remontagem. Volte a colocar os 4 parafusos M6 (chave Allen de 5,0mm) nos orifícios do conjunto da cobertura e aperte-os uniformemente. Assegure uma folga máxima de 0,2mm entre a cobertura e a base.

Opções de cablagem

A unidade está disponível com três configurações básicas:

1. Alimentação C.C., 1 som
2. Alimentação C.C., 2 sons
3. Alimentação C.A., 1 som

O tipo 1 possui 8 bornes identificados como TB1 a TB8. A alimentação deve ser ligada a TB1 (+ve), TB3 (-ve), com saída para TB2 e TB4, respectivamente.

O tipo 2 possui 8 bornes identificados como TB1 a TB8.

Para um sistema de 2 condutores, a alimentação deve ser ligada a TB1 (+ve), TB3 (-ve), com saída para TB2 e TB4 respectivamente, para produzir o som 1. O Som 2 é produzido através da inversão da polaridade da alimentação TB1 (-ve), TB3 (+ve), com saída em TB2 e TB4 respectivamente. Como opção, é possível montar um resistor final de linha entre TB2 e TB4.

Para uma sistema de 3 condutores, a alimentação deve ser ligada a TB1 (+ve comum), TB3 (-ve1) e TB5 (-ve2), com saída em TB2, TB4 e TB6 respectivamente. O Som 1 é emitido se a alimentação for ligada a TB1 (+ve comum) e TB3 (-ve1). O Som 2 é emitido se a alimentação for ligada a TB1 (+ve comum) e TB5 (-ve1). Como alternativa, o Som 2 pode também ser produzido através da inversão da polaridade de alimentação TB1 (-ve) do Som 1, TB3 (+ve), com saída em TB2 e TB4 respectivamente. Como opção, é possível montar um resistor final de linha entre TB2 e TB4 ou TB2 e TB6.

O tipo 3 possui 8 bornes identificados como TB1 a TB8. A alimentação deve ser ligada a TB1 (sob tensão), TB3 (neutro), com saída para TB2 e TB4, respectivamente.

3.0 UTILIZAÇÃO

A tensão de serviço da unidade encontra-se indicada na etiqueta de certificação.

A versão C.C. pode ser utilizada como unidade de 2 sons. Existem duas formas para mudar a unidade entre os dois sons:

a. Ligar como sistema de 2 condutores e inverter a polaridade da alimentação

Com TB1 (+ve) e TB3 (-ve), é produzido o som 1 conforme ajustado pelo interruptor 'SOM 1'.

Com TB1 (+ve) e TB3 (-ve), é produzido o som 2 conforme ajustado pelo interruptor DIL 'SOM 2'.

b. Ligar como sistema +ve comum de 3 condutores e mudar entre as duas linhas -ve

Com TB1 (+ve) e TB3 (-ve), é produzido o som 1 conforme ajustado pelo interruptor 'SOM 1'.

Com TB1 (+ve) e TB5 (-ve) ou TB1 (-ve) e TB3 (+ve), é produzido o som 2 conforme ajustado pelo interruptor DIL 'SOM 2'.

A versão C.A. só pode ser utilizada como unidade de 1 som.

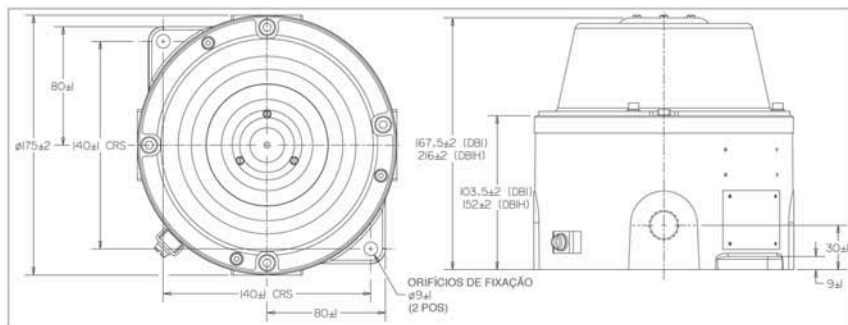
Sons

Em todas as versões, um interruptor DIL de 5 vias permite seleccionar o som pretendido. As configurações normais encontram-se indicadas abaixo no quadro 1:

Quadro 1

SOM N.º	FREQ/DESCRIÇÃO DO SOM	POSIÇÃO DO INTERRUPTOR 12345	DESCRIÇÃO DO SOM	SPL Nominal (dB(A) a 1M)
1	Sons Alternantes 800/970 Hz a 1/4 seg	11111		114
2	Varrimento 800/970 Hz a 7 Hz	11110	Varrimento Rápido (LF)	114
3	Varrimento 800/970 Hz a 1 Hz	11101	Varrimento Médio (LF)	114
4	Contínuo a 2850 Hz	11100		109
5	Varrimento 2400/-2850 Hz a 7 Hz	11011	Varrimento Rápido	114
6	Varrimento 2400/-2850 Hz a 1 Hz	11010		114
7	Buzina Lenta	11001	Buzina Lenta	115
8	Varrimento 1200/-500 Hz a 1 Hz	11000	Som DIN	115
9	Sons Alternantes 2400/2850 Hz at 2 Hz	10111		111
10	Som Intermitente 970 Hz a 1 Hz	10110	Alarme de Marcha-atrás (LF)	114
11	Sons Alternantes 800/970 Hz at 7/8 Hz	10101		114
12	Som Intermitente 2850 Hz a 1Hz	10100	Alarme de Marcha-atrás (HF)	109
13	970 Hz a 1/4 seg lig. 1 seg. deslig.	10011		114
14	Contínuo a 970 Hz	10010		114
15	554 Hz por 0,1 s/440 Hz por 0,4 s	10001	Alarme de incêndio França	101
16	Intermitente 660 Hz 150 ms lig. 150 ms deslig.	10000	Alarme de incêndio Suécia	106
17	Intermitente 660 Hz 1,8 seg lig. 1,8 seg deslig.	01111	Alarme de incêndio Suécia	106
18	Intermitente 660 Hz 6,5 seg lig. 13 seg deslig.	01110	Alarme de incêndio Suécia	104
19	Contínuo a 660 Hz	01101	Alarme de incêndio Suécia	106
20	Alternante 554/440 Hz a 1 Hz	01100	Alarme de incêndio Suécia	100
21	Intermitente 660 Hz a 7/8 Hz	01011	Alarme de incêndio Suécia	106
22	Intermitente 2850 Hz 150 ms lig. 100 ms deslig.	01010	Passagem de Peões	109
23	Varrimento 800/-970 Hz a 50 Hz	01001	Baixa Freq. Besouro	113
24	Varrimento 2400/-2850 Hz a 50 Hz	01000	Alta Freq. Besouro	112
25	3 pulsos 970 Hz 0,5 deslig., 1,5 deslig.	00111		113
26	3 pulsos 2850 Hz 0,5 lig./0,5 deslig., 1,5 deslig.	00110		109
27	Intermitente 3100 Hz 0,32 s lig./0,68 s deslig.	00101		110
28	Reserva / som especial de cliente	00100		
29	Reserva / som especial de cliente	00011		
30	Reserva / som especial de cliente	00010		
31	Reserva / som especial de cliente	00001		
32	Reserva / som especial de cliente	00000		

DISPOSIÇÃO GERAL



4.0 MANUTENÇÃO

Durante a sua vida útil, a unidade precisará de pouca ou nenhuma manutenção. No entanto, se ocorrerem condições ambientais anormais ou invulgares devido a danos ou um acidente nas instalações etc., recomenda-se uma inspeção visual.

Se for necessário limpar a unidade, limpe apenas o exterior com um pano húmido para impedir que se crie electricidade estática.

Se ocorrer uma falha da unidade, a mesma poderá ser reparada pela MEDC ou por um técnico de reparação autorizado de equipamentos com certificação Ex. Todas as peças da unidade são substituíveis.

Se adquiriu um elevado número de unidades, recomenda-se que obtenha também peças sobresselentes. Contacte os Engenheiros Técnicos de Vendas da MEDC para determinar os seus requisitos.

Peças de reposição para DB1	
DESCRIÇÃO	Nº da PEÇA
Conjunto do sinalizador plástico (vermelho)	PX99901540
Outras cores disponíveis	Entre em contato com a MEDC
Anel em O	PX99900750
Conjunto do circuito eletrónico (12/24Vcc - tom duplo)	PX99900335
Outros conjuntos disponíveis	Entre em contato com a MEDC
Parafuso de cobertura (necessários 4 disponíveis)	PX99900818

5.0 CERTIFICAÇÃO/APROVAÇÕES

Unidades IECEx/INMETRO

Certificação IEC60079-0 e IEC60079-1

DB1

Unidade Ex d (Certificação IEC n.º IECEx BAS 10.0065X)
(Certificação INMETRO n.º CEPEL 06.1262)

Ex d IIB T6 (Tamb. -20 °C a +55 °C) Gb

DB1H

Unidade Ex d (Certificação IEC n.º IECEx BAS 10.0064X)
(Certificação INMETRO n.º CEPEL 06.1 262)

Ex d IIB T5 (Tamb. -20 °C a +70 °C) Gb

O certificado e a etiqueta do produto indicam a classificação do nível de protecção do equipamento

Gb

Em que Gb significa que o equipamento é apropriado para uso em indústrias de superfície da Zona 1 na presença de gás.

Unidades ATEX

Certificação EN60079-0 e EN60079-1

DB1

Unidade Ex d (Certificação ATEX n.º Baseefa02ATEX0207X)

Ex d IIB T6 (Tamb. -20 °C a +55 °C) Gb

DB1H

Unidade Ex d (Certificação ATEX n.º Baseefa02ATEX0209X)

Ex d IIB T5 (Tamb. -20 °C a +70 °C) Gb

O certificado ATEX e a etiqueta do produto indicam a classificação do grupo e da categoria ATEX:

 II 2 G

Onde:

 Significa conformidade com ATEX

II Significa que o equipamento é apropriado para uso em indústrias de superfície

2 Significa que o equipamento é apropriado para uso numa área da zona 1

G Significa que o equipamento é apropriado para uso na presença de gases

Do tipo DNV aprovado (Solo para H y 24VDC). Aprovado em conformidade com a IEC60945: Equipamentos e sistemas de navegação marítima e comunicação via rádio

O equipamento é classificado como adequado para exposição.

A distância mínima segura de bússola é de 5m.

6.0 CONDIÇÕES ESPECIAIS PARA O USO SEGURO (IECEx e ATEX)

1. O corpo exterior representa um perigo potencial de carga electro-estática e deve ser limpa apenas com um pano húmido.

7.0 SEGURANÇA FUNCIONAL - DB1H

Introdução

A Sirene DB1H foi projetada para uso em atmosferas potencialmente explosivas e condições ambientais adversas. As caixas feitas em liga de qualidade naval ou inoxidável são destinadas para a utilização marítima ou terrestre, onde são necessárias características de leveza combinadas com resistência à corrosão e robustez.

A função de segurança da Sirene é proporcionar um som de aviso audível pré-determinado

quando necessário se a tensão correta é aplicada à unidade. A versão DC da Sirene é

projetada para operar em uma tolerância de tensão de alimentação de +/- 20%,

Sob nenhuma condição de falha operacional (normal), a Sirene DB1 emitirá um som audível quando exigido pelo sistema.

Sob condições de falha, o modo de falha da Sirene é uma falha para fornecer um som audível. Para obter a taxa de falha associada a este modo de falha, consulte a tabela abaixo.

Avaliação da segurança funcional

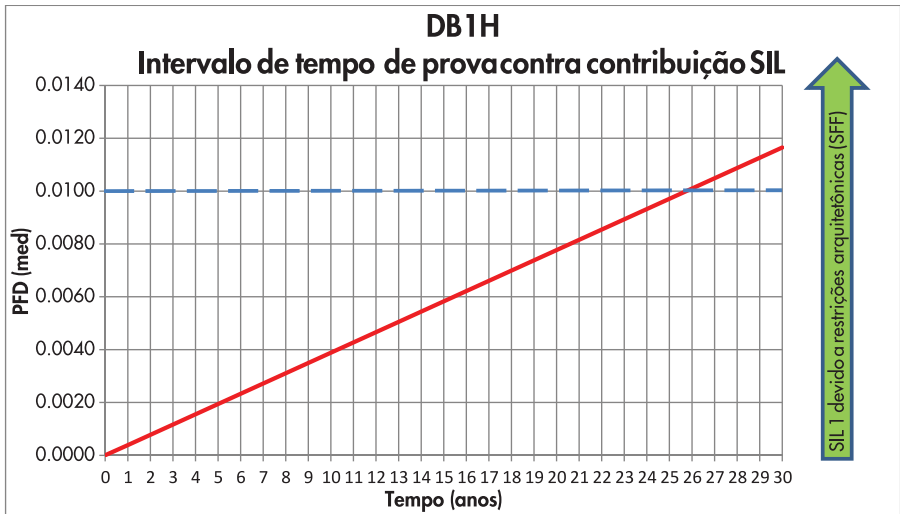
O Alto-Falante destina-se a uso em um sistema de segurança em conformidade com os requisitos da norma IEC61508.

A UL conduziu uma análise de diagnóstico e efeitos de modos de falha (FMEDA) na versão DC do Alto-Falante DB1H em relação aos requisitos da norma IEC 61508-2 usando um intervalo de teste de prova de 8760 horas.

Os resultados são mostrados abaixo e baseados na Rota 1H

A Sirene é classificada como um dispositivo de classe B

SIRENE DB1H			
Função de Segurança da Sirene DB1H: <i>Fornecer um som de aviso audível pré-descrito quando necessário'</i>			
Resumo das cláusulas 2/7.4.2 e 2/7.4.4	SireneDB1H <u>Modo simples</u> (1001)	SireneDB1H <u>Modo redundante (1002)</u>	Veredito
Limitações arquitetônicas Fração de Falha de Segurança (SFF)	HFT= 0	HFT= 1	Tipo B
	65%	65%	SIL 1(1001) SIL 2(1002)
Falhas aleatórias do hardware: [h ⁻¹]	λ_{DD} λ_{DU} 6,45E+09 8,87E-08	6,45E+10 8,87E-09	
Falhas aleatórias do hardware: [h ⁻¹]	λ_{SD} λ_{SU} 0,00E+00 1,59E-07	0,00E+00 1,59E-08	
PFD @ PTI = 8760 horas MTTR = 8 horas	3,89E-04	3,89E-05	SIL 3(1001)
Frequência média de falha perigosa (alta demanda-PFH)[h ⁻¹]	8,86E-08	8,86E-09	SIL 3(1001)
Conformidade de integridade de hardware de segurança	Rota 1H		
Conformidade de integridade sistemática de segurança	Rota 1s		
Capacidade sistemática (SC1, SC2, SC3, SC4)	SC2		
Integridade de segurança alcançada pelo hardware	Limitado a: SIL 1 (1001) e SIL 2 (1002) devido ao valor SFF.		



Condições de uso seguro

As condições seguintes se aplicam à instalação, operação e manutenção do equipamento avaliado. A falha em observá-las pode comprometer a integridade de segurança do equipamento avaliado:

1. O usuário deverá cumprir com os requisitos fornecidos na documentação do usuário do fabricante (este manual de segurança e manual técnico) relativos a todos os aspectos relevantes de segurança funcional, como a aplicação de uso, a instalação, a operação, a manutenção, os testes de prova, as especificações máximas, as condições ambientais, reparos, etc.;
2. A seleção deste equipamento para uso em funções de segurança e a instalação, a configuração, a validação total, a manutenção e os reparos serão realizados apenas por pessoal competente, observando-se todas as condições e recomendações do fabricante incluídas na documentação do usuário.
3. **Todas as informações associadas a quaisquer falhas deste produto no campo deverão ser coletadas com um processo de gerenciamento confiável (por exemplo, norma IEC 60300-3-2) e comunicadas ao fabricante .**
4. A unidade deverá ser testada a intervalos regulares para identificar quaisquer avarias; de acordo com este manual de segurança.
5. Se o produto for usado em uma instalação redundante, tanto a integridade da segurança do hardware como a integridade de segurança sistemática para SIL 2 podem ser conseguidas. A instalação tem de ser feita de forma a assegurar proteção suficiente contra falhas com causas comuns e independência de falhas em cascata.

Eaton MEDC Ltd, Unit B, Sutton Parkway, Oddicroft Lane,
Sutton in Ashfield, United Kingdom NG17 5FB
Tel: +44 (0)1623 444444 Fax: +44 (0)1623 444531
Email: MEDCSales@Eaton.com MEDCOrders@Eaton.com
Web: www.medc.com

MEDC Stock No:
TM153-ISS.G